

LARGE GENERAL PURPOSE ROOF DRAIN

LOW PROFILE DOME

FUNCTION: For use in promenade roof deck and rooftop recreational areas where traffic bearing roof deck covering is to be applied. Drain body sump is protected from leaves, paper and other debris by low profile mesh covered dome.

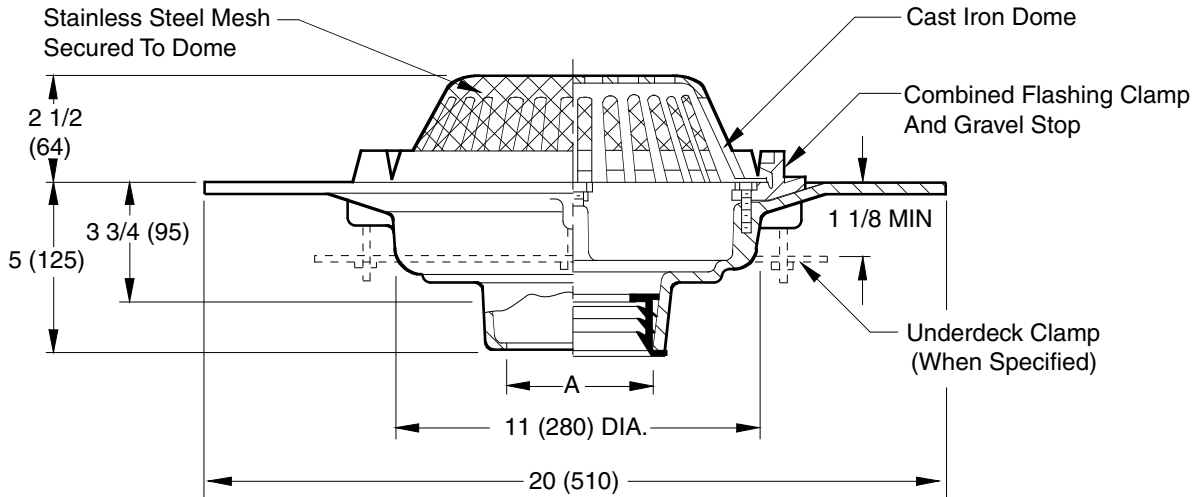


Fig. DX1010C-LPDM . . . CAULK OUTLET
 Fig. DX1010Y-LPDM . . . NO-HUB OUTLET

A (Pipe Size) = 02(50), 03(80), 04(100) 05(125) or 06(150)

REGULARLY FURNISHED:

Duct Cast Iron Body with Combined Flashing Clamp and Gravel Stop with Cast Iron Low Profile Dome with Stainless Steel Mesh over Dome.

NOTE: Dimensions shown in parentheses are in millimeters.

VARIATIONS:

- Expansion Joint (Specify Fig. 1710)
- Extension (Specify Height) -E
- "L" Shaped Underdeck Clamp -CL
- L Speedi-Set Service Weight
02(50), 03(80), & 04"(100) sizes only
- LXH Speedi-Set Extra Heavy
02(50), 03(80), & 04"(100) sizes only
- NO-HUB Adaptor (Fig. 1020 only)
- Underdeck Clamp -C
- Secondary Flashing Clamp -C2
- Vandal Proof Dome -U
- T Threaded Outlet

OPTIONAL MATERIALS:

- Galvanized Cast Iron -G

DRAWING NUMBER
SDX1010-LPDM

SIZE
A

SCALE:
NONE

DATE:
4-8-08

APPROVED BY:
BW

CHECKED BY:
BW

DRAWN BY:
TBW

FIGURE NUMBER
DX1010-LPDM

WE CAN ASSUME NO RESPONSIBILITY FOR USE OF SUPERSEDED OR VOID DATA

DIMENSIONS ARE SUBJECT TO MANUFACTURERS TOLERANCE AND CHANGE WITHOUT NOTICE

REV.	DATE	DESCRIPTION	BY	CKD. BY

WEIGHT POUNDS	VOLUME CUBIC FEET

FIGURE NUMBER DX1010-LPDM
