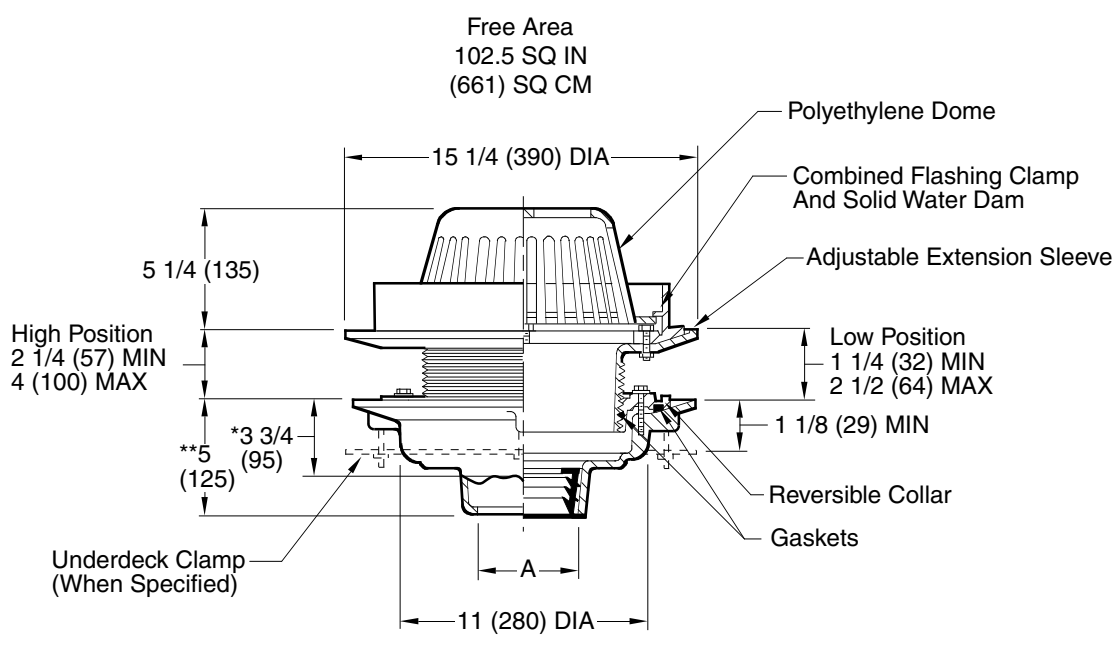


# SPECIAL PURPOSE ROOF DRAIN

## WATER DAM TYPE

**FUNCTION:** Used in flat roofs of any construction where a constant height of water is desired on the roof. It may also be used as an emergency overflow for conventional roofs, draining down rain water when the depth of the water on the roof reaches the water dam height.



A (Pipe Size) = 02(50), 03(75), 04(100), 05(125), 06(150) or 08(200)

\*This dimension to internal stop of Speedi-Set Gasket  
 \*\*Same for Caulk, NO-HUB and Speedi-Set, 3 3/4 (95) for Threaded

- Fig. 1045C ..... CAULK OUTLET
- Fig. 1045Y ..... NO-HUB OUTLET

recommended deck opening	
with suffix -R	17 (430) DIA
less suffix -R	14 (355) DIA

**REGULARLY FURNISHED:**  
 Duco Cast Iron Body with Adjustable Extension Sleeve, Reversible Collar, Combined Flashing Clamp and Water Dam and Polyethylene Dome.

- VARIATIONS:**
- 2 1/2(64), 3(76) or 4"(100) Water Dams Available -WD
  - Expansion Joint (Specify Fig. 1710)
  - "L" Shaped Underdeck Clamp -CL
  - L Speedi-Set Service Weight 02(50), 03(75) & 04"(100) sizes only
  - LXH Speedi-Set Extra Heavy 02(50), 03(75) & 04"(100) sizes only
  - Removable Water Dam
  - Secondary Flashing Clamp -C2
  - Sump Receiver -R
  - Underdeck Clamp -C
  - T Threaded Outlet

- OPTIONAL MATERIALS:**
- ▲ Aluminum Dome -AD
  - ▲ Cast Iron Dome -CID
  - Galvanized Cast Iron Body & Collar -G
  - ▲ Galvanized Cast Iron Dome -CIDG
  - ▲ Rough Bronze Dome -RBD

**NOTE:** Dimensions shown in parentheses are in millimeters.

▲ **Optional domes' free area are as follows:**  
 Aluminum 98 (632)  
 Cast Iron 80 (516)  
 Bronze 95 (613)

DRAWING NUMBER S1045  
 SIZE A  
 SCALE: NONE  
 DATE: 4-8-86  
 APPROVED BY: JMcD  
 CHECKED BY: JD  
 DRAWN BY: CMB  
 1045  
 DIMENSIONS ARE SUBJECT TO MANUFACTURERS TOLERANCE AND CHANGE WITHOUT NOTICE  
 WE CAN ASSUME NO RESPONSIBILITY FOR USE OF SUPERSEDED OR VOID DATA

REV.	DATE	DESCRIPTION	BY	CKD. BY	WEIGHT POUNDS	VOLUME CUBIC FEET	FIGURE NUMBER
E D	06/04/09 6-5-06	Added Optional Dome Notes Revised Dim.	JJ TBW	CL AM			1045