

A



**JAY R. SMITH MFG. CO.®**  
 DIVISION OF SMITH INDUSTRIES, INC.  
 POST OFFICE BOX 3237  
 MONTGOMERY, ALABAMA 36109-0237 (USA)  
 TEL: 334-277-8520 FAX: 334-272-7396 www.jrsmith.com



MEMBER OF:



LOCATION

DRAWING NUMBER  
S1015-RDP

SIZE  
A

SCALE:  
NONE

DATE:  
07/18/07

APPROVED BY:  
AM

CHECKED BY:  
AM

DRAWN BY:  
JJ

1015-RDP

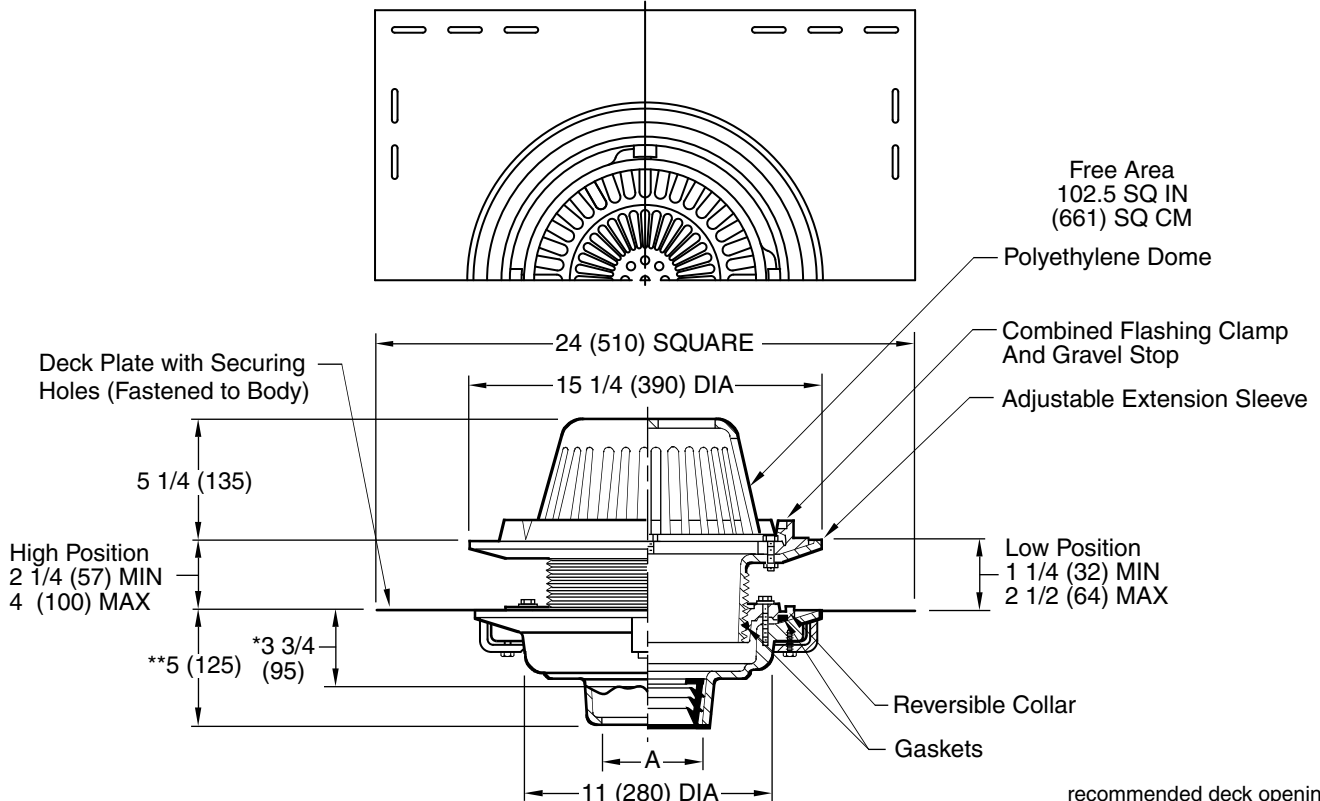
WE CAN ASSUME NO RESPONSIBILITY FOR USE OF SUPERSEDED OR VOID DATA

DIMENSIONS ARE SUBJECT TO MANUFACTURERS TOLERANCE AND CHANGE WITHOUT NOTICE

# SPECIAL PURPOSE ROOF DRAIN

## ROOF DRAIN WITH ADJUSTABLE EXTENSION

**FUNCTION:** Used in flat roofs of any construction. The adjustable extension sleeve permits adjustment from a minimum of 1 1/4" (32) to a maximum of 4" (100), easily accommodating up to 2 3/4"(70) of varying insulation thicknesses. The positive threading allows smooth perimeter movement and circumferential support of the top at any adjusted elevation. Large low profile dome provides sufficient free area for quick drainage of rainwater and protection against debris. Attached wide deck plate has securing holes enabling drain to be secured to the roof deck from the top surface of the roof.



\*This dimension to internal stop of Speedi-Set Gasket  
 \*\*Same for Caulk, NO-HUB and Speedi-Set, 3 3/4 (95) for Threaded

A (Pipe Size) = 02(50), 03(75), 04(100), 05(125) or 06(150)

recommended deck opening	
with suffix -R	17 (430) DIA
less Suffix -R	14 (355) DIA

- Fig. 1015C-(RDP) ..... CAULK OUTLET
- Fig. 1015Y-(RDP) ..... NO-HUB OUTLET

**REGULARLY FURNISHED:**

Duco Cast Iron Body with Attached Deck Plate with Securing Holes in Deck Plate, Adjustable Extension Sleeve, Reversible Collar, Combined Flashing Clamp and Gravel Stop, with Polyethylene Dome.

**VARIATIONS:**

- Expansion Joint (Specify Fig. 1710)
- "L" Shaped Underdeck Clamp -CL
- L Speedi-Set Service Weight  
02(50), 03(75) & 04(100)" sizes only
- LXH Speedi-Set Extra Heavy  
02(50), 03(75) & 04(100)" sizes only
- Secondary Flashing Clamp -C2
- Sump Receiver -R
- Underdeck Clamp -C
- Vandal Proof Dome -U
- Side Outlet Drain (Specify Fig. 1025)
- T Threaded Outlet

**OPTIONAL MATERIALS:**

- ▲ Aluminum Dome -AD
- ▲ Cast Iron Dome -CID
- Galvanized Cast Iron -G
- ▲ Rough Bronze Dome -RBD

**▲ Optional domes' free area are as follows:**

Aluminum	98 (632)
Cast Iron	80 (516)
Bronze	95 (613)

**NOTE:** Dimensions shown in parentheses are in millimeters.

FIGURE NUMBER

A	06/01/09	Added Optional Dome Notes	JJ	CL
REV.	DATE	DESCRIPTION	BY	CKD. BY

WEIGHT POUNDS

VOLUME CUBIC FEET

FIGURE NUMBER

**1015-RDP**