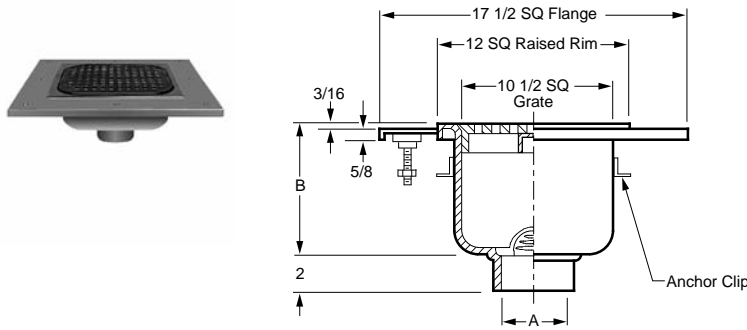


SANITARY DRAINS

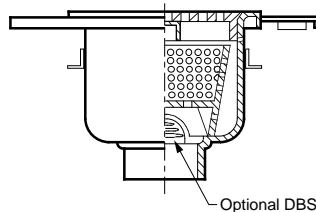
FIG. DX3001 SERIES SANI-CEPTOR® SS WIDE FLANGE FLOOR, AREA & INDIRECT WASTE DRAINS WITH SS SQUARE TOPS



FUNCTION: Used in all locations where superior sanitation, corrosion resistance, durability and longevity are required, and where the floor or deck will be surfaced with troweled, composition elastomeric covering. These coverings consist of slip sheet bondcoat, membrane and finish coatings. They form an entirely seamless waterproof, resilient traffic floor or deck. They are normally applied in 3/16" thickness, however, thicknesses may be increased to 1/2" for specialized application. Refer to covering manufacturer for specifications and thicknesses to be used.



WITH DOME BOTTOM STRAINER



WITH SEDIMENT BUCKET

FIG. NO. w/DOME STRAINER	A OUTLET SIZE	B SUMP DEPTH	†SS SQUARE FLANGE	APPROX. WEIGHT LBS
DX3001	02", 03", 04"	4"	POA	29
DX3002	02", 03", 04"	6"	POA	32
DX3003	02", 03", 04"	8"	POA	35
DX3004	02", 03", 04"	10"	POA	38
FIG. NO. w/ SEDIMENT BUCKET	A OUTLET SIZE	B SUMP DEPTH	†SS SQUARE FLANGE	APPROX. WEIGHT LBS
DX3006	02", 03", 04"	4"	POA	29
DX3007	02", 03", 04"	6"	POA	32
DX3008	02", 03", 04"	8"	POA	35
DX3009	02", 03", 04"	10"	POA	38

REGULARLY FURNISHED: 14 Gauge Type 304 SS Receptor Body with Reinforced Stainless Steel Square Flange set 3/16" Below Rim and Cast Type 316 SS Ribbed Non-Tilt Loose Set Grate with 1/2" Square Holes. Flange has Glass Blast Finish for Bond Coat Adhesion and Countersunk Anchoring Holes. Body is Provided with Anchor Clips. Perforated SS Dome Bottom Strainer or Sediment Bucket is Indicated by Figure Number. Body Interior, Dome Bottom Strainer and Sediment Bucket are polished to No. 4 finish.

OUTLET VARIATIONS (Specify type of outlet and pipe size in inches.)

Outlet Type	Outlet Designation	ADD
No-Hub	Y02, Y03, Y04	POA
Butt Weld	BW02, BW03, BW04 (Schedule -5)	POA
	BW02, BW03, BW04 (Schedule -10)	POA
	BW02, BW03, BW04 (Schedule -40)	POA

OPTIONS:	ADD
-AB With 1/4 x 2 1/2 SS Anchor Bolts	POA
-AS With 1/4 x 2 1/2 SS Anchor Screws	POA
-FT With Flange Top set 3/8" or 1/2" Below Top of Rim and Grate	POA
-P Trap Primer Connection	POA
-U Vandal Proof Grate	POA
-SG With Screed Guide	POA
-T Male or Female Threaded Outlet	POA
-316 Type 316 Stainless Steel Bodies and Grates	POA

Anchor Flange (-F) Models:	ADD
-C Flashing Clamp (Type 304)	POA
-LSH Less Seepage Control Holes	POA

Models w/Buckets:	ADD
-BS With Mesh lined Bucket	POA
-DBS With Type 304 SS Dome Bottom Strainer	POA
-SBP With Solid Bottom Ported Bucket	POA

MODELS WITH 12" STAINLESS STEEL TOPS (All Type 304- Type 316 POA)

	DEDUCT
-10 Less Stainless Steel Grate	POA
	ADD
-12 With Type 304 SS 1/2" Grate	POA
-13 With Type 304 SS 3/4" Grate	POA
-14 With Type 304 SS Grate with 2 1/2" SQ Center Hole	POA
-15 With Type 304 SS Recessed Grate with Bar Handle	POA
-21 With Type 304 SS Grate with 4" DIA NB Funnel	POA
-22 With Type 304 SS Grate with 6" DIA NB Funnel	POA
-25 With Type 304 SS Grate with 8 1/4 x 3 1/4 x 4 1/2" High Oval NB Funnel	POA
-26 With NB Grate With 6" x 2 1/2 x 1" High Oval NB Funnel	POA
-41 With Type 304 SS Solid Cover	POA
-42 With Type 304 SS 1/2" Solid Cover	POA
-43 With Type 304 SS 3/4" Solid Cover	POA
-44 With Type 304 SS Solid Cover w/2 1/2" SQ Center Hole	POA
-61 With Type 304 SS Heelproof Ribbed Loose-set Grate with 1/4" Square Holes	POA
-62 With Type 304 SS Medium Duty Ribbed Loose-set Non-tilt Grate with 1/2" Square Holes	POA
-63 With Type 304 SS Medium Duty Ribbed Loose-set Non-tilt Grate with 1/4" Square Holes	POA
-64 With Type 304 SS Heavy Duty Ribbed Loose-set Non-tilt Grate with 1/2" Square Holes	POA
-66 With Type 304 SS Extra Heavy Duty Ribbed Loose-set Non-tilt Grate with 1/2" Square Holes	POA
-68 With Type 304 SS Extra Heavy Duty Ribbed Loose-set Non-tilt 3/4" Grate with 1/2" Square Holes	POA