

SANITARY DRAINS

FIG. 3380 WATER SUPPLY CONTROL BOXES



FUNCTION: With potable water supply protected by the integral atmospheric vacuum breaker used to supply hot, cold or tempered water to can washing drains, flushing rim drains or other devices requiring a water supply. All operating parts are protected from vandalism by means of the hinged door which is provided with a cylinder lock. Both the hot and cold water supplies are provided with integral screw driver stops allowing maintenance of the control valves without shutting down the main water supply. Fig. 3380 is furnished with plaster grounds and is usually flush mounted in plaster walls. Fig. 3385 is surface mounted and is usually used in brick or masonry construction.

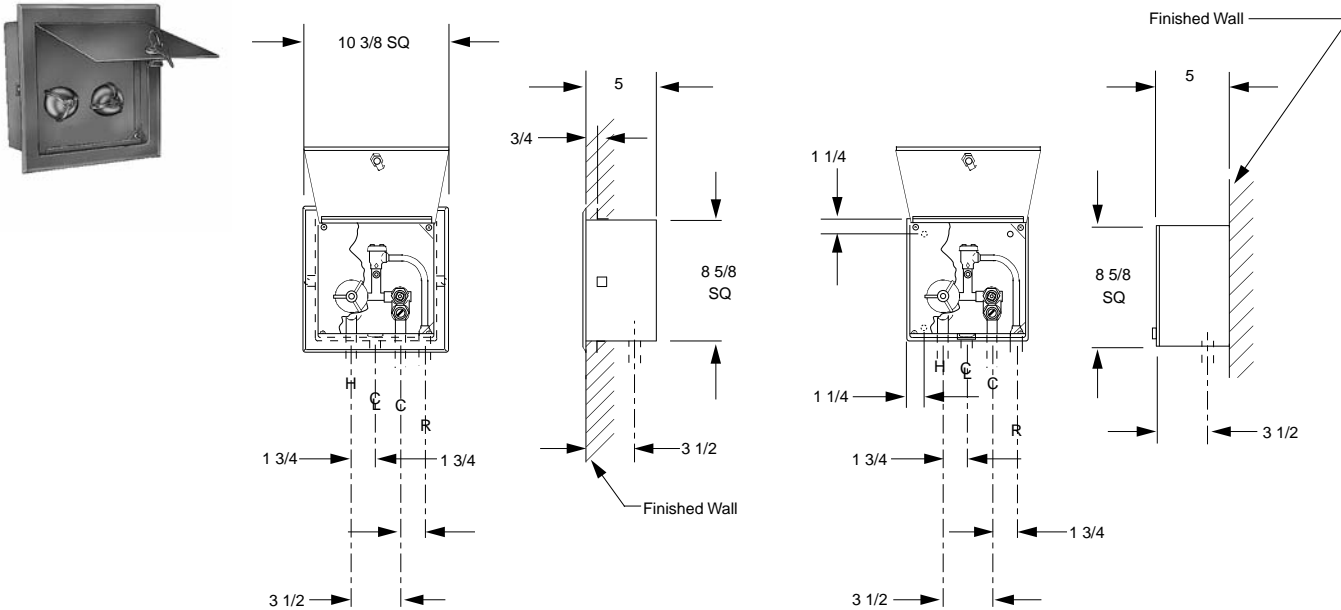


FIG. NO.	FACE OF WALL	SURFACE MOUNTED	APPROX. WEIGHT LBS
3380	3,250.00	-	15
3385	-	3,250.00	15

REGULARLY FURNISHED: Box: Type 304 stainless steel with cylinder type key lock and piano hinged cover. All exposed surfaces are polished to a No. 4 satin finish.

Internal Parts: Control valves, screwdriver stops and atmospheric type vacuum breaker are all bronze. Component parts are assembled with type "L" copper tubing and all connections are silver brazed. H & C inlet and remote outlet fittings are 1/2" NPT female. All are provided with integral ears secured to the control box with stainless steel vandal-proof screws, preventing damage during installation.

SANITARY DRAINS