

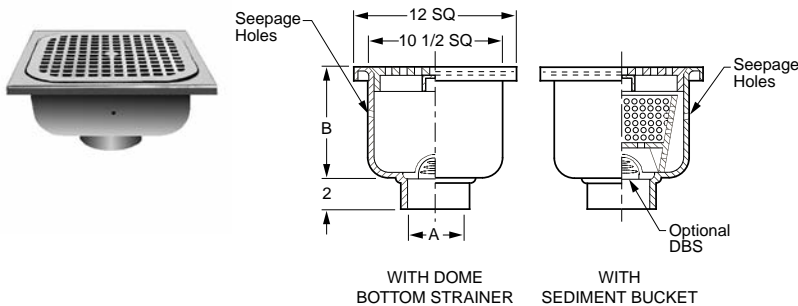
SANITARY DRAINS



FIG. 3001 SERIES SANI-CEPTOR® SS FLOOR, AREA & INDIRECT WASTE DRAINS WITH SS SQUARE TOPS
FIG. 3001NB SERIES SANI-CEPTOR® SS FLOOR, AREA & INDIRECT WASTE DRAINS WITH NB SQUARE TOPS

FUNCTION: 3001-3009 Series: Used in all locations where superior sanitation, corrosion resistance, durability and longevity are required. Essential in restaurants, kitchens and all types of food handling areas for ultimate sanitation. Ideal for breweries, dairies, creameries and similar processing plants where sanitation is paramount. Also suitable for nuclear and fossil fuel power stations, chemical plants, laboratories and other areas where the corrosion resistance of type 304 stainless steel is satisfactory for the intended service.

3001 SERIES

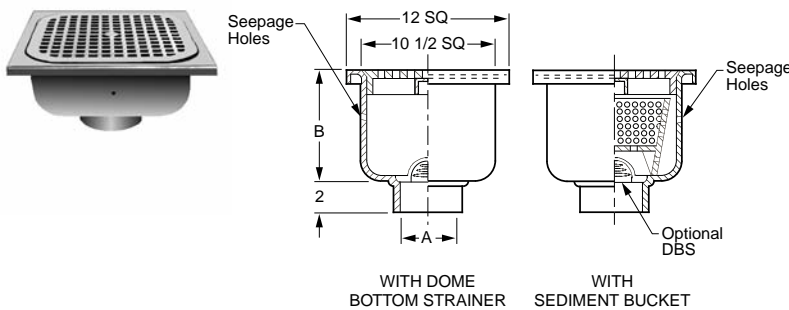


REGULARLY FURNISHED:

3001 Series: 14 Gauge Type 304 SS Receptor Body with Seepage Control Holes, Cast Type 316 SS Ribbed Non-Tilt Loose Set Grate with 1/2" Square Holes. Perforated SS Dome Bottom Strainer or Sediment Bucket as indicated by Figure Number. Body Interior, Dome Bottom Strainer and Sediment Bucket are polished to No. 4 finish.

FUNCTION: 3001NB-3009NB Series: Used in all locations where superior sanitation, corrosion resistance, durability and longevity are required. Essential in restaurants, kitchens and all types of food handling areas for ultimate sanitation. Ideal for breweries, dairies, creameries and similar processing plants where sanitation is paramount.

3001 SERIES



REGULARLY FURNISHED:

3001NB Series: 14 Gauge Type 304 SS Receptor Body with Seepage Control Holes, 12 1/2" SQ NB Rim and Secured Ribbed Grate with 1/2" Square Holes. Perforated SS Dome Bottom Strainer or Sediment Bucket as indicated by Figure Number. Body Interior, Dome Bottom Strainer and Sediment Bucket are polished to No. 4 finish.

FIG. NO. w/DOME STRAINER	A OUTLET SIZE	B SUMP DEPTH	TOP SIZE	†LESS FLANGE	WITH FLANGE	APPROX. WEIGHT LBS
3001	02", 03", 04"	4"	12" SQ	POA	POA	14
3002	02", 03", 04"	6"	12" SQ	POA	POA	17
3003	02", 03", 04"	8"	12" SQ	POA	POA	20
3004	02", 03", 04"	10"	12" SQ	POA	POA	23
3001NB	02", 03", 04"	4"	12 1/2" SQ	POA	POA	18
3002NB	02", 03", 04"	6"	12 1/2" SQ	POA	POA	21
3003NB	02", 03", 04"	8"	12 1/2" SQ	POA	POA	24
3004NB	02", 03", 04"	10"	12 1/2" SQ	POA	POA	27
FIG. NO. SEDIMENT BUCKET	A OUTLET SIZE	B SUMP DEPTH	TOP SIZE	†LESS FLANGE	WITH FLANGE	APPROX. WEIGHT LBS
3006	02", 03", 04"	4"	12" SQ	POA	POA	16
3007	02", 03", 04"	6"	12" SQ	POA	POA	19
3008	02", 03", 04"	8"	12" SQ	POA	POA	22
3009	02", 03", 04"	10"	12" SQ	POA	POA	25
3006NB	02", 03", 04"	4"	12 1/2" SQ	POA	POA	20
3007NB	02", 03", 04"	6"	12 1/2" SQ	POA	POA	23
3008NB	02", 03", 04"	8"	12 1/2" SQ	POA	POA	26
3009NB	02", 03", 04"	10"	12 1/2" SQ	POA	POA	29

OUTLET VARIATIONS (Specify type of outlet and pipe size in inches.)

Outlet Type	Outlet Designation	ADD
No-Hub	Y02, Y03, Y04	POA
Butt Weld	BW02, BW03, BW04 (Schedule -5)	POA
	BW02, BW03, BW04 (Schedule -10)	POA
	BW02, BW03, BW04 (Schedule -40)	POA

OPTIONS:

Option	ADD
-P Trap Primer Connection	POA
-U Vandal Proof Grate	POA
-T Male or Female Threaded Outlet	POA
-316 Type 316 Stainless Steel Bodies and Grates	POA

Anchor Flange (-F) Models:

-C Flashing Clamp (Type 304)	POA
-LSH Less Seepage Control Holes	POA

Models w/Secured NB Grate:

-U Vandal Proof Grate	POA
-----------------------	-----

Models w/Buckets:

-BS With Mesh lined Bucket	POA
-DBS With Type 304 SS Dome Bottom Strainer	POA
-SBP With Solid Bottom Ported Bucket	POA

MODELS WITH 12" STAINLESS STEEL TOPS (All Type 304- Type 316 POA)

Model	DEDUCT
-10 Less Stainless Steel Grate	POA
-12 With Type 304 SS 1/2 Grate	POA
-13 With Type 304 SS 3/4 Grate	POA
-14 With Type 304 SS Grate with 2 1/2" SQ Center Hole	POA
-15 With Type 304 SS Recessed Grate with Bar Handle	POA
-21 With Type 304 SS Grate with 4" DIA NB Funnel	POA
-22 With Type 304 SS Grate with 6" DIA NB Funnel	POA
-25 With Type 304 SS Grate with 8 1/4 x 3 1/4 x 4 1/2" High Oval NB Funnel	POA
-26 With NB Grate With 6" x 2 1/2 x 1" High Oval NB Funnel	POA
-41 With Type 304 SS Solid Cover	POA
-42 With Type 304 SS 1/2 Solid Cover	POA
-43 With Type 304 SS 3/4 Solid Cover	POA
-44 With Type 304 SS Solid Cover w/2 1/2" SQ Center Hole	POA
-61 With Type 304 SS Heelproof Ribbed Loose-set Grate with 1/4" Square Holes	POA
-62 With Type 304 SS Medium Duty Ribbed Loose-set Non-tilt Grate with 1/2" Square Holes	POA
-63 With Type 304 SS Medium Duty Ribbed Loose-set Non-tilt Grate with 1/4" Square Holes	POA
-64 With Type 304 SS Heavy Duty Ribbed Loose-set Non-tilt Grate with 1/2" Square Holes	POA
-66 With Type 304 SS Extra Heavy Duty Ribbed Loose-set Non-tilt Grate with 1/2" Square Holes	POA
-68 With Type 304 SS Extra Heavy Duty Ribbed Loose-set Non-tilt 3/4 Grate with 1/2" Square Holes	POA
-69 With 1" Thick Underbolted NB Rim and Extra Heavy Duty Cast Type 304 SS Secured Grate	POA

MODELS WITH 12 1/2" NICKEL BRONZE TOPS (SUFFIX NB)

Model	DEDUCT
-10 Less NB Rim and Grate	POA
-11 With NB Rim less Grate	POA
-12 With NB Rim and 1/2 Grate	POA
-13 With NB Rim and 3/4 Grate	POA
-14 With NB Rim and Grate with 2 1/2" SQ Center Hole	POA
-15 With NB Rim and Aluminum Recessed Grate	POA
-18 With NB Rim and Angle Grate	POA
-19 With NB Rim and Hinged Grate	POA
-21 With NB Rim and Grate with 4" DIA NB Funnel	POA
-22 With NB Grate with 6" DIA NB Funnel	POA
-25 With NB Rim and Grate with 8 1/4 x 3 1/4 x 4 1/2" High Oval NB Funnel	POA
-26 With NB Rim and Grate with 6 x 2 1/2 x 1" High Oval NB Funnel	POA
-41 With NB Rim and Solid Cover	POA
-42 With NB Rim and 1/2 Solid Cover	POA
-43 With NB Rim and 3/4 Solid Cover	POA
-44 With NB Rim and 2 1/2" Dia Hole in Solid Cover	POA
-69 With 1" Thick Underbolted NB Rim and Extra Heavy Duty Secured Grate	POA

SANITARY DRAINS