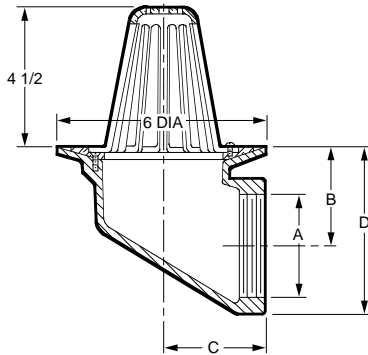


ROOF DRAINS

FIG. 1690 HIGH DOME - SIDE OUTLET GUTTER DRAIN



FUNCTION: Used in gutters where a drain is required for connecting to the downspout leader. Flashing arrangement design permits removal of dome or flat strainer without disturbing flashing clamp and gutter liner. Used where an abnormal amount of debris is anticipated.



OUTLET VARIATIONS (Specify type of outlet and pipe size in inches.)

Outlet Type	Outlet Designation Outlet Type/Pipe Size	ADD
Threaded.....	T02, T03, T04.....	N/C

OPTIONS:

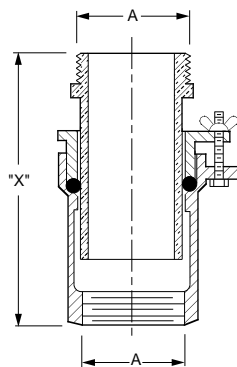
		ADD
-CP	Chrome Plated Dome.....	209.00
-G	Galvanized Cast Iron.....	100.00
-NB	Nickel Bronze Dome.....	193.00
-PB	Polished Bronze Dome.....	131.00
-SSM	SS Mesh on Dome.....	261.00
-U	Vandal Proof Dome.....	33.00
	2" High Water Dam on Collar.....	227.00

A OUTLET SIZE	B	C	D	FLANGE DIA	FREE AREA SQ IN	†DUCO CI RB TOP	ALL ROUGH BRZ (-BB)	APPROX. WEIGHT LBS
02"	2 1/2"	2 1/2"	4"	6"	24.5	371.00	577.00	7
03"	3"	3"	5"	6"	24.5	541.00	894.00	10
04"	3 1/2"	4"	6 1/4"	6"	24.5	541.00	894.00	10

REGULARLY FURNISHED: Duco Cast Iron Body with Bronze Flashing Clamp and Bronze Top Secured with Brass Screws.

FIG. 1710 ROOF ACCESSORY - EXPANSION JOINT

FUNCTION: Used with all types of vertical drainage conductors, leaders, stacks, vent or soil lines, where contraction and expansion movements must be compensated for to prevent rupturing of lines and damage to the building construction.



OUTLET VARIATIONS (Specify type of outlet and pipe size in inches.)

Outlet Type	Outlet Designation Outlet Type/Pipe Size	ADD
Spigot	S02, S03, S04, S05.....	See Fig. 2646
	S06, S08	See Fig. 2646
Threaded	T02, T03, T04, T05.....	N/C
	T06, T08	N/C
No-Hub	Y02, Y03, Y04, Y05.....	See Fig. 2646Y
	Y06, Y08	See Fig. 2646Y

A OUTLET SIZE	"X"		†DUCO CI	GALV CI	APPROX. WEIGHT LBS
	MIN	MAX			
02"	7 5/16"	9 3/4"	402.00	510.00	9
03"	7 11/16"	9 3/4"	431.00	539.00	10
04"	7 11/16"	9 3/4"	487.00	595.00	12
05"	8 3/4"	10 5/16"	706.00	814.00	18
06"	8 3/8"	10 1/4"	809.00	917.00	21
08"	8 5/8"	11 1/16"	1,428.00	1,536.00	40

REGULARLY FURNISHED: Duco Cast Iron Body with Adjustable Bronze Expansion Sleeve and Bronze Bolts and Wing Nuts.