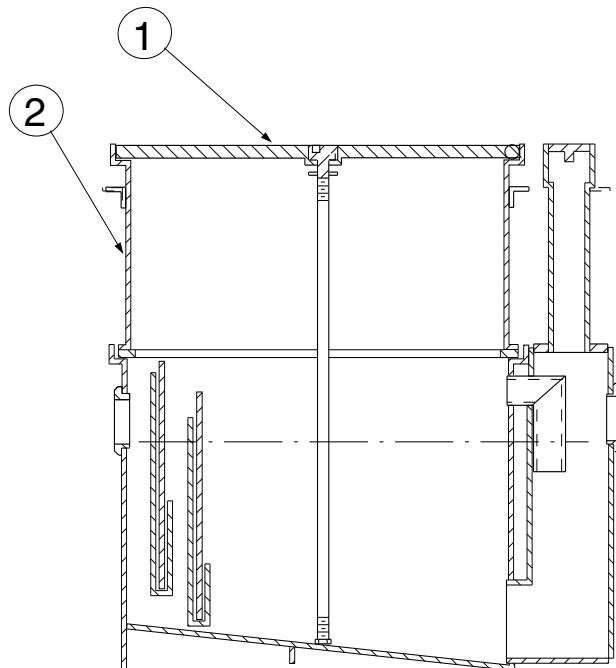
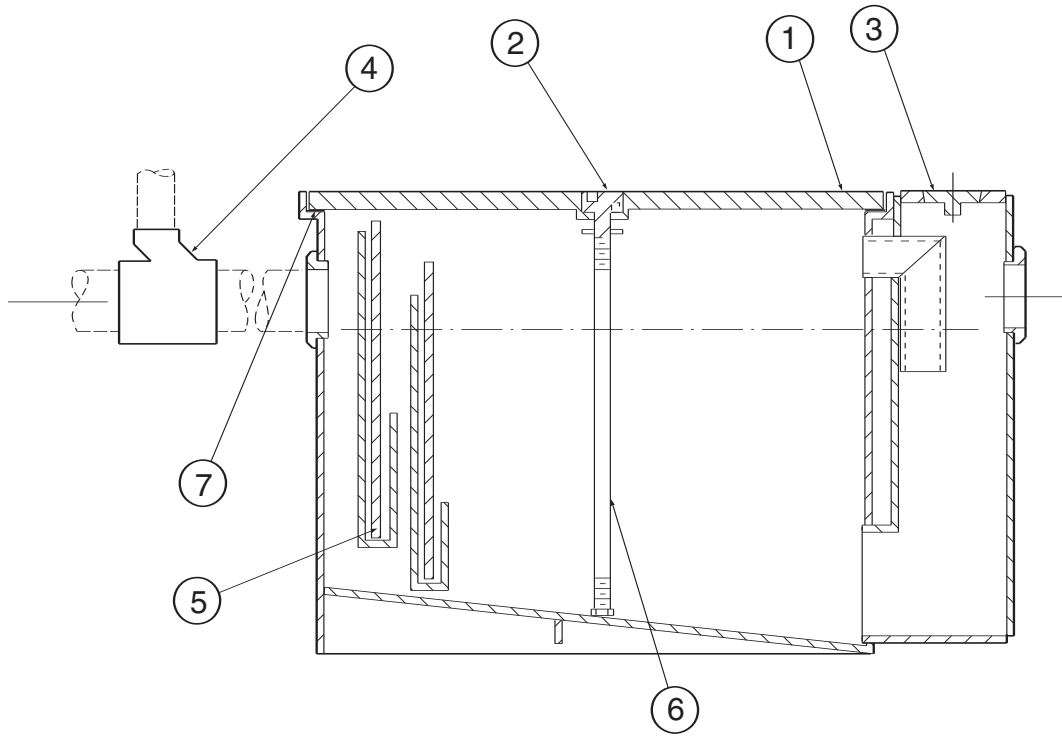




Jay R. Smith Mfg. Co.  
Wholesaler's  
Parts Order Number Guide

8004 thru 8250  
Cat Pg 8-05

PART	DESCRIPTION	ITEM NUMBER	
------	-------------	-------------	--



**8004 thru 8250**  
**Cat Pg 8-05**

**Jay R. Smith Mfg. Co.**  
**Wholesaler's**  
**Parts Order Number Guide**



PART	DESCRIPTION	ITEM NUMBER
1, 2	CI Cover w/Lock & Lift Ring f/8004	8004-CICA
1, 2	CI Cover w/Lock & Lift Ring f/8007	8007-CICA
1, 2	CI Cover w/Lock & Lift Ring f/8010, 8210	8010-CICA
1, 2	CI Cover w/Lock & Lift Ring f/8015, 8215	8015-CICA
1, 2	CI Cover w/Lock & Lift Ring f/8020, 8220	8020-CICA
1, 2	CI Cover w/Lock & Lift Ring f/8025, 8225	8025-CICA
1, 2	CI Cover w/Lock & Lift Ring f/8035, 8235	8035-CICA
1, 2	CI Cover w/Lock & Lift Ring f/8050, 8250	8050-CICA
1, 2	Alum Cvr w/Lock & Lift Ring f/8004	8004CA/AL
1, 2	Alum Cvr w/Lock & Lift Ring f/8007	8007CA/AL
1, 2	Alum Cvr w/Lock & Lift Ring f/8010, 8210	8010CA/AL
1, 2	Alum Cvr w/Lock & Lift Ring f/8015, 8215	8015CA/AL
1, 2	Alum Cvr w/Lock & Lift Ring f/8020, 8220	8020CA/AL
1, 2	Alum Cvr w/Lock & Lift Ring f/8025, 8225	8025CA/AL
1, 2	Alum Cvr w/Lock & Lift Ring f/8035, 8235	8035CA/AL
1, 2	Alum Cvr w/Lock & Lift Ring f/8050, 8250	8050CA/AL
2	Lock & Lift Ring, ea	8000-LDK
3	Cleanout	
4	Flow Control Ftg, 2" for 8004	8004FC2
4	Flow Control Ftg, 2" for 8007	8007FC2
4	Flow Control Ftg, 2" for 8010, 8220	8010FC2
4	Flow Control Ftg, 2" for 8015, 8215	8015FC2
4	Flow Control Ftg, 3" for 8015, 8215	8015FC3
4	Flow Control Ftg, 3" for 8020, 8220	8020FC3
4	Flow Control Ftg, 4" for 8020, 8220	8020FC4
4	Flow Control Ftg, 3" for 8025, 8225	8025FC3
4	Flow Control Ftg, 4" for 8025, 8225	8025FC4
4	Flow Control Ftg, 3" for 8035, 8235	8035FC3
4	Flow Control Ftg, 4" for 8035, 8235	8035FC4
4	Flow Control Ftg, 3" for 8050, 8250	8050FC3
4	Flow Control Ftg, 4" for 8050, 8250	8050FC4
5	Set Removable Baffles f/8004	8004BAF-STL
5	Set Removable Baffles f/8007	8007BAF-STL
5	Set Removable Baffles f/8010	8010BAF-STL



**Jay R. Smith Mfg. Co.  
Wholesaler's  
Parts Order Number Guide**

**8004 thru 8250  
Cat Pg 8-05**

PART	DESCRIPTION	ITEM NUMBER	
5	Set Removable Baffles f/8015, 8215	8015BAF-STL	
5	Set Removable Baffles f/8020, 8220	8020BAF-STL	
5	Set Removable Baffles f/8025, 8225	8025BAF-STL	
5	Set Removable Baffles f/8035, 8235	8035BAF-STL	
5	Set Removable Baffles f/8050, 8250	8050BAF-STL	
6	Hardware f/8004, Stud, Wshr, Nut, Gasket	8004-HWK	
6	Hardware f/8007, Stud, Wshr, Nut, Gasket	8007-HWK	
6	Hardware f/8010, Stud, Wshr, Nut, Gasket	8010-HWK	
6	Hardware f/8015, Stud, Wshr, Nut, Gasket	8015-HWK	
6	Hardware f/8020, Stud, Wshr, Nut, Gasket	8020-HWK	
6	Hardware f/8025, Stud, Wshr, Nut, Gasket	8025-HWK	
6	Hardware f/8035, Stds, Wshrs, Nuts, Gskt	8035-HWK	
6	Hardware f/8050, Stds, Wshrs, Nuts, Gskt	8050-HWK	
7	Neoprene Gasket for 8004	8004G	
7	Neoprene Gasket for 8007	8007G	
7	Neoprene Gasket for 8010, 8210	8010G	
7	Neoprene Gasket for 8015, 8215	8015G	
7	Neoprene Gasket for 8020, 8220	8020G	
7	Neoprene Gasket for 8025, 8225	8025G	
7	Neoprene Gasket for 8035, 8235	8035G	
7	Neoprene Gasket for 8050, 8250	8050G	
2	Steel Extension (6") f/8210	8210E06	
2	Steel Extension (6") f/8215	8215E06	
2	Steel Extension (6") f/8220	8220E06	
2	Steel Extension (6") f/8225	8225E06	
2	Steel Extension (6") f/8235	8235E06	
2	Steel Extension (6") f/8250	8250E06	

**8300**  
**Receiving Cradle**  
Cat Pg 8-09

**Jay R. Smith Mfg. Co.**  
**Wholesaler's**  
**Parts Order Number Guide**



Receiving Cradle for 8304	8304C
Receiving Cradle for 8307	8307C
Receiving Cradle for 8310	8310C
Receiving Cradle for 8315	8315C
Receiving Cradle for 8320	8320C
Receiving Cradle for 8325	8325C
Receiving Cradle for 8335	8335C
Receiving Cradle for 8350	8350C
Receiving Cradle for 8307GT	8307GTC
Receiving Cradle for 8310GT	8310GTC
Receiving Cradle for 8315GT	8315GTC
Receiving Cradle for 8320GT	8320GTC
Receiving Cradle for 8325GT	8325GTC
Receiving Cradle for 8335GT	8335GTC
Receiving Cradle for 8350GT	8350GTC
Receiving Cradle for 8375GT	8375GTC



**Jay R. Smith Mfg. Co.  
Wholesaler's  
Parts Order Number Guide**

**8510-E  
Cat Pg 8-11**

PART	DESCRIPTION	ITEM NUMBER	
	Flow Control Fitting f/2" 8510	8510FC2	
	Flow Control Fitting f/2" 8515	8515FC2	
	Flow Control Fitting f/3" 8520	8520FC3	
	Flow Control Fitting f/3" 8525	8525FC3	
	Flow Control Fitting f/3" 8535	8535FC3	
	Flow Control Fitting f/3" 8550	8550FC3	
	Cast Iron Non-Skid Cover f/8510	8010-CICA	
	Cast Iron Non-Skid Cover f/8515	8515-CICA	
	Cast Iron Non-Skid Cover f/8520	8520-CICA	
	Cast Iron Non-Skid Cover f/8525	8525-CICA	
	Cast Iron Non-Skid Cover f/8535	8535-CICA	
	Cast Iron Non-Skid Cover f/8550	8550-CICA	
<b>4" Minimum to 6" Extension</b>			
	Steel Extension (6") for 8510	8510E06	
	Steel Extension (6") for 8515	8515E06	
	Steel Extension (6") for 8520	8520E06	
	Steel Extension (6") for 8525	8525E06	
	Steel Extension (6") for 8535	8535E06	
	Steel Extension (6") for 8550	8550E06	

**For Cover Assemblies, see 8000 Series**

PART	DESCRIPTION	ITEM NUMBER	
------	-------------	-------------	--

**Fig. 8710**

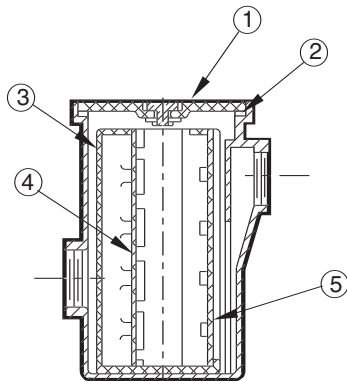
1	Aluminum Cvr w/ Lift & Locking Device	8710CA	
2	Cover Gasket	8710GASKET	
3, 4, 5	Sediment Bucket w/Removable Stainless Steel Screens	8710B	
4	Stainless Steel Inlet Screen	71473-80-5	
5	Stainless Steel Outlet Screen	71474-80-5	

**Fig. 8714**

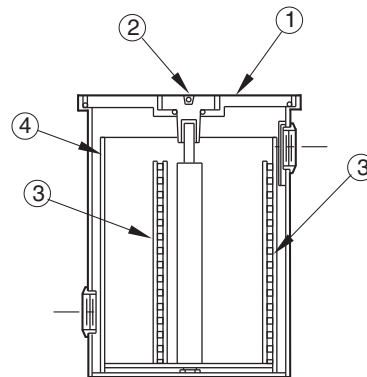
Aluminum Cvr w/ Lift & Locking Device	8714CVR	
Cover Gasket	8714GASKET	
Bucket w/Screen	8714B	

**Fig. 8715**

1	Cast Iron Cover Assembly	8715CICA	
	Cast Iron Cover Only	8715CVR	
2	Locking Device	8715LD	
3	Stainless Steel Screens	8715FBSCRN	
4	Bucket w/Screens	8715B/S	
	Bucket Only	8715B	



**Fig. 8710**



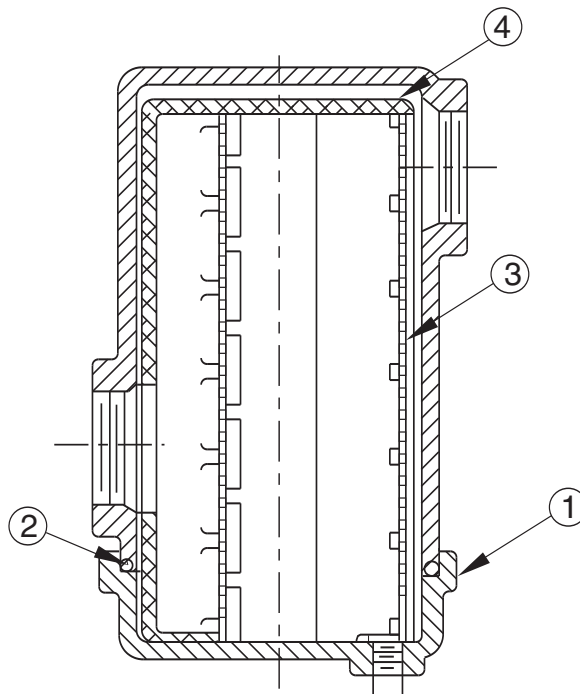
**Fig. 8715**



Jay R. Smith Mfg. Co.  
Wholesaler's  
Parts Order Number Guide

8730  
Cat Pg 8-14

PART	DESCRIPTION	ITEM NUMBER
1	CI Cover Assembly w/Hardware	8730CA
	Hardware only for Cover	8730CK
2	Cover Gasket	8730GKT
3	Set Removable SS Screens f/Inlet & Outlet	8730SCR
4	Aluminum Bucket w/ Removable Screens	8730B/S
	Bucket Only	8730B



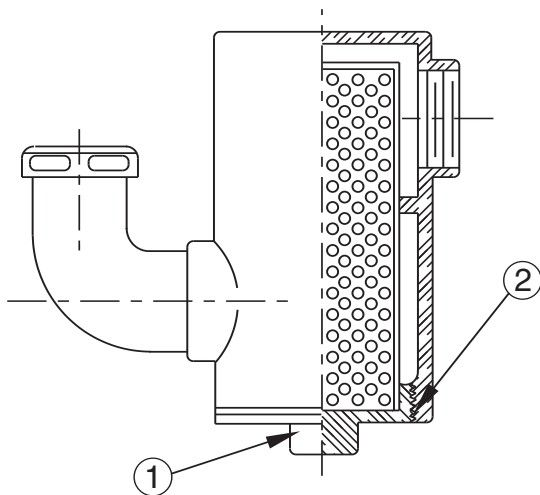
PART	DESCRIPTION	ITEM NUMBER	
------	-------------	-------------	--

**Fig. 8750**

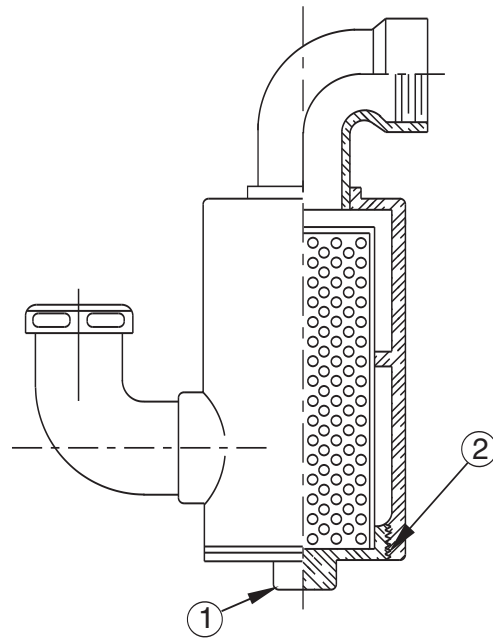
1	Cast Iron Cover	8750CVR-CI
1	Chrome Plated Bronze Cover	8750CVR-CP
1	Chrome Plated Cast Iron Cover	8750CVR-CP1
1	Polished Bronze Cover	8750CVR-PB
2	Cover Gasket	8750CGASK
	Sediment Basket	8750B

**Fig. 8760**

1	Cast Iron Cover	04318-10-1
1	Chrome Plated Bronze Cover	8760CVR-CP
1	Chrome Plated Cast Iron Cover	04318-10-1C
1	Polished Bronze Cover	04318-54-71
2	Cover Gasket	8760CGASK
	Sediment Basket	8760B



**Fig. 8750**



**Fig. 8760**