



**Jay R. Smith Mfg. Co.
Wholesaler's
Parts Order Number Guide**

**0210, 0210-M40
Cat. Pg 0-11**

PART	DESCRIPTION	ITEM NUMBER
Fittings Only		
1	Horiz Ftg, Caulk Left Hand	0210LF
1	Horiz Ftg, Caulk Right Hand	0210RF
1	Horiz Ftg, Caulk Double	0210DF
1	Horiz Ftg, No-Hub Left Hand	0210LYF
1	Horiz Ftg, No-Hub Right Hand	0210RYF
1	Horiz Ftg, No-Hub Double	0210DYF
1	Horiz Ftg, Caulk L H Long Barrel	0220LF
1	Horiz Ftg, Caulk R H Long Barrel	0220RF
1	Horiz Ftg, Caulk Dbl Long Barrel	0220DF
1	Horiz Ftg, No-Hub L H Long Barrel	0220LYF
1	Horiz Ftg, No-Hub R H Long Barrel	0220RYF
1	Horiz Ftg, No-Hub Dbl Long Barrel	0220DYF
1	Vertical Ftg, Caulk	0230F
1	Vertical Ftg, Caulk Double	0230DF
1	Vertical Ftg, No-Hub	0230YF
1	Vertical Ftg, No-Hub Double	0230DYF
1	Vertical Ftg, Caulk L H	0240LF
1	Vertical Ftg, Caulk R H	0240RF
1	Vertical Ftg, Caulk Dbl	0240DF
1	Vertical Ftg, No-Hub L H	0240LYF
1	Vertical Ftg, No-Hub R H	0240RYF
1	Vertical Ftg, No-Hub Dbl	0240DYF
1	Vertical Ftg, Caulk, Two Inlets	0250F
1	Vertical Ftg, Caulk Double, Two Inlets	0250DF
1	Vertical Ftg, No-Hub, Two Inlets	0250YF
1	Vertical Ftg, No-Hub Double, Two Inlets	0250DYF
2	Face Plate Gasket	0100FP-GASKET
3	Face Plate, 0100 Series	0100FP
3	Face Plate, 0200 Series	0200FP
3	Face Plate, 0200-M54 Series	0200FP-M54
3	Face Plate, 0200-M58 Series	0200FP-M58
3	Face Plate, 0300 Series	0300FP
*	Type #2 Outlet Connection	0100T2CA
*	Protector-Coupling Styrofoam	71020-40-6

*Available, but not shown

**0100 Thru 0300
Series**

**Jay R. Smith Mfg. Co.
Wholesaler's
Parts Order Number Guide**



PART	DESCRIPTION	ITEM NUMBER
ABS and Cast Iron Nipples		
6	4 x 3 1/4" ABS Nipple	0100N03P
6	4 x 4 1/2" ABS Nipple	0100N04P
6	4 x 5 1/4" ABS Nipple	0100N05P
6	4 x 6 1/4" ABS Nipple	0100N06P
6	4 x 7" ABS Nipple	0100N07P
6	4 x 8 1/4" ABS Nipple	0100N08P
6	4 x 10" PVC Nipple	0100N10P
6	4 x 12" PVC Nipple	0100N12P
6	4 x 15" PVC Nipple	0100N15P
6	4 x 18" PVC Nipple	0100N18P
6	4 x 20" PVC Nipple	0100N20P
6	4 x 10" ABS Nipple f/-M58 Faceplate	0100N10P-M58
6	4 x 12" PVC Nipple f/-M58 Faceplate	0100N12P-M58
	O Ring f/Nipple f/-M58 Faceplate	77120-94-6
6	4 x 3 1/4" Cast Iron Nipple	0100N03
6	4 x 4 1/2" Cast Iron Nipple	0100N04
6	4 x 5 1/4" Cast Iron Nipple	0100N05
6	4 x 6 1/4" Cast Iron Nipple	0100N06
6	4 x 7" Cast Iron Nipple	0100N07
6	4 x 8 1/4" Cast Iron Nipple	0100N08
6	4 x 10" Cast Iron Nipple	0100N10
6	4 x 12" Cast Iron Nipple	0100N12
6	4 x 15" Cast Iron Nipple	0100N15
6	4 x 18" Cast Iron Nipple	0100N18
6	4 x 5 1/4" PVC Nipple, f/Type 5	0100N05-5
6	4 x 6 1/4" PVC Nipple, f/Type 5	0100N06-5
6	4 x 7" PVC Nipple, f/Type 5	0100N07-5
6	4 x 8 1/4" PVC Nipple, f/Type 5	0100N08-5
6	4 x 10" PVC Nipple, f/Type 5	0100N10-5
6	4 x 12" PVC Nipple, f/Type 5	0100N12-5
6	4 x 15" PVC Nipple, f/Type 5	0100N15-5
6	4 x 18" PVC Nipple, f/Type 5	0100N18-5



**Jay R. Smith Mfg. Co.
Wholesaler's
Parts Order Number Guide**

**0100 Thru 0300
Series**

PART	DESCRIPTION	ITEM NUMBER
ABS Nipple Kits		
5, 6,19	Kit: Studs, 3 1/4" ABS Npl & Cplg	0100N03KP
5, 6,19	Kit: Studs, 4 1/2" ABS Npl & Cplg	0100N04KP
5, 6,19	Kit: Studs, 5 1/4" ABS Npl & Cplg	0100N05KP
5, 6,19	Kit: Studs, 6 1/4" ABS Npl & Cplg	0100N06KP
5, 6,19	Kit: Studs, 7" ABS Npl & Cplg	0100N07KP
5, 6,19	Kit: Studs, 8 1/4" ABS Npl & Cplg	0100N08KP
5, 6,19	Kit: Studs, 10" PVC Npl & Cplg	0100N10KP
5, 6,19	Kit: Studs, 12" PVC Npl & Cplg	0100N12KP
5, 6,19	Kit: Studs, 15" PVC Npl & Cplg	0100N15KP
5, 6,19	Kit: Studs, 18" PVC Npl & Cplg	0100N18KP
5, 6,19	Kit: Studs, 20" PVC Npl & Cplg	0100N20KP
5, 6,19	Kit: Studs, 10" -M58 ABS Npl & Cplg	0100N10KP-M58
5, 6,19	Kit: Studs, 12" -M58 PVC Npl & Cplg	0100N12KP-M58
5, 6,19	Kit: Studs, 3 1/4" ABS Npl & Cplg, f/Type 2	0100N03KP-2
5, 6,19	Kit: Studs, 8 1/4" ABS Npl & Cplg, f/Type 2	0100N08KP-2
5, 6,19	Kit: Studs, 10" PVC Npl & Cplg, f/Type 2	0100N10KP-2
5, 6,19	Kit: Studs, 12" PVC Npl & Cplg, f/Type 2	0100N12KP-2
5, 6,19	Kit: Studs, 15" PVC Npl & Cplg, f/Type 2	0100N15KP-2
5, 6,19	Kit: Studs, 18" PVC Npl & Cplg, f/Type 2	0100N18KP-2
5, 6,19	Kit Studs, 7" ABS Npl & Cplg, f/Type 5	0100N07KP-5
5, 6,19	Kit: Studs, 8 1/4" PVC Npl & Cplg, f/Type 5	0100N08KP-5
5, 6,19	Kit: Studs, 9" PVC Npl & Cplg, f/Type 5	0100N09KP-5
5, 6,19	Kit: Studs, 10" PVC Npl & Cplg, f/Type 5	0100N10KP-5
5, 6,19	Kit: Studs, 12" PVC Npl & Cplg, f/Type 5	0100N12KP-5
5, 6,19	Kit: Studs, 15" PVC Npl & Cplg, f/Type 5	0100N15KP-5
5, 6,19	Kit: Studs, 18" PVC Npl & Cplg, f/Type 5	0100N18KP-5
5, 6,19	Kit: Studs, 3 1/4" ABS Npl & Cast Iron Cplg	0100N03KP-CICPLG
5, 6,19	Kit: Studs, 8 1/4" ABS Npl & Cast Iron Cplg	0100N08KP-CICPLG
5, 6,19	Kit: Studs, 10" PVC Npl & Cast Iron Cplg	0100N10KP-CICPLG
5, 6,19	Kit: Studs, 12" PVC Npl & Cast Iron Cplg	0100N12KP-CICPLG
5, 6,19	Kit: Studs, 15" PVC Npl & Cast Iron Cplg	0100N15KP-CICPLG
5, 6,19	Kit: Studs, 18" PVC Npl & Cast Iron Cplg	0100N18KP-CICPLG
5, 6,19	Kit: Studs, 20" PVC Npl & Cast Iron Cplg	0100N20KP-CICPLG

**0100 Thru 0300
Series**

**Jay R. Smith Mfg. Co.
Wholesaler's
Parts Order Number Guide**



PART	DESCRIPTION	ITEM NUMBER
Cast Iron Nipple Kits		
5, 6,19	Kit: Studs, 3 1/4" Cast Iron Npl & Cplg	0100N03K
5, 6,19	Kit: Studs, 4 1/2" Cast Iron Npl & Cplg	0100N04K
5, 6,19	Kit: Studs, 5 1/4" Cast Iron Npl & Cplg	0100N05K
5, 6,19	Kit: Studs, 6 1/4" Cast Iron Npl & Cplg	0100N06K
5, 6,19	Kit: Studs, 7" Cast Iron Npl & Cplg	0100N07K
5, 6,19	Kit: Studs, 8 1/4" Cast Iron Npl & Cplg	0100N08K
5, 6,19	Kit: Studs, 10" Cast Iron Npl & Cplg	0100N10K
5, 6,19	Kit: Studs, 12" Cast Iron Npl & Cplg	0100N12K
5, 6,19	Kit: Studs, 15" Cast Iron Npl & Cplg	0100N15K
5, 6,19	Kit: Studs, 18" Cast Iron Npl & Cplg	0100N18K
5, 6,19	Kit: Studs, 20" Cast Iron Npl & Cplg	0100N20K
5, 6,19	Kit: Studs, 3 1/4" CI Npl & Cplg, f/Type 2	0100N03K-2
5, 6,19	Kit: Studs, 4 1/2" CI Npl & Cplg, f/Type 2	0100N04K-2
5, 6,19	Kit: Studs, 5 1/4" CI Npl & Cplg, f/Type 2	0100N05K-2
5, 6,19	Kit: Studs, 6 1/4" CI Npl & Cplg, f/Type 2	0100N06K-2
5, 6,19	Kit: Studs, 8 1/4" CI Npl & Cplg, f/Type 2	0100N08K-2
5, 6,19	Kit: Studs, 10" CI Npl & Cplg, f/Type 2	0100N10K-2
5, 6,19	Kit: Studs, 12" CI Npl & Cplg, f/Type 2	0100N12K-2
5, 6,19	Kit: Studs, 15" CI Npl & Cplg, f/Type 2	0100N15K-2
5, 6,19	Kit: Studs, 18" CI Npl & Cplg, f/Type 2	0100N18K-2
5, 6,19	Kit: Studs, 3 1/4" -M58 CI Npl & Cplg	0100N03K-M58
5, 6,19	Kit: Studs, 4 1/2" -M58 CI Npl & Cplg	0100N04K-M58
5, 6,19	Kit: Studs, 5 1/4" -M58 CI Npl & Cplg	0100N05K-M58
5, 6,19	Kit: Studs, 6 1/4" -M58 CI Npl & Cplg	0100N06K-M58
5, 6,19	Kit: Studs, 7" -M58 CI Npl & Cplg	0100N07K-M58
5, 6,19	Kit: Studs, 8 1/4" -M58 CI Npl & Cplg	0100N08K-M58
5, 6,19	Kit: Studs, 10" -M58 CI Npl & Cplg	0100N10K-M58
5, 6,19	Kit: Studs, 12" -M58 CI Npl & Cplg	0100N12K-M58
5, 6,19	Kit: Studs, 15" -M58 CI Npl & Cplg	0100N15K-M58
5, 6,19	Kit: Studs, 18" -M58 CI Npl & Cplg	0100N18K-M58
5, 6,19	Kit: Studs, 20" -M58 CI Npl & Cplg	0100N20K-M58
*	O Ring f/Nipple f/-M58 Face Plate	77120-94-6



**Jay R. Smith Mfg. Co.
Wholesaler's
Parts Order Number Guide**

0200 Series

PART	DESCRIPTION	ITEM NUMBER
------	-------------	-------------

Trim Kits Less Fittings

All Trim Kits include regularly furnished faceplate and faceplate gasket, standard legs, R-91 Rough Trim Kit and Finish Trim Kit as specified.

Less Nipple Kit w/Neoprene Gaskets

*	Trim Less Ftg Less Npl Kit with F-1N Trim Kit	0200TL
*	Trim Less Ftg Less Npl Kit, Vandal Proof	0200TL-U
*	Trim Less Ftg Less Npl Kit f/Type 2	0200TL2
*	Trim Less Ftg Less Npl Kit f/Type 2, -U	0200TL2-U
*	Trim Less Ftg Less Npl Kit f/M50	0200TL-M50
*	Trim Less Ftg Less Npl Kit f/M54	0200TL-M54
*	Trim Less Ftg Less Npl Kit f/M54-M51	0200TL-M54-M51
*	Trim Less Ftg Less Npl Kit f/M58	0200TL-M58
*	Trim Less Ftg Less Npl Kit f/M58-M54	0200TL-M58-M54
*	Trim Less Ftg Less Npl Kit f/M59	0200TL-M59
*	Trim Less Ftg Less Npl Kit f/M77	0200TL-M77

Less Nipple Kit w/Felt Gaskets

*	Trim Less Ftg Less Npl Kit with F-1F Trim Kit w/Felt Gasket	0200TLF
*	Trim Less Ftg Less Npl Kit, Vandal Proof	0200TLF-U
*	Trim Less Ftg Less Npl Kit f/M50	0200TLF-M50
*	Trim L/Ftg L/Npl Kit f/M50, Vandal Proof	0200TL-M50-U

Couplings

19	ABS Coupling	0100C-P
19	Cast Iron Coupling	0100C
19	Cast Iron Half Coupling	0100C1
19	Cast Iron Coupling, 6" Long	0100C-6
19	Cast Iron Coupling, Type No 2	0100CG
19	Cast Iron Coupling, Type 2M	0100C-2M
	Coupling Wrench	0099

0200 Series**Jay R. Smith Mfg. Co.
Wholesaler's
Parts Order Number Guide**

PART	DESCRIPTION	ITEM NUMBER
Miscellaneous Hardware		
5	5/8" Studs x 8" (for 3 1/4" Nipple)	76000-86-40-080
5	5/8" Studs x 12" (for 8" Nipple)	76000-86-40-120
5	5/8" Studs x 17" (for 10-12" Nipple)	76000-86-40-170
5	5/8" Studs x 18" (for 10-12" Nipple)	76000-86-40-180
5	5/8" Studs x 20" (for 15" Nipple)	76000-86-40-200
5	5/8" Studs x 22" (for 18" Nipple)	76000-86-40-220
5	5/8" Studs x 25" (for 20" Nipple)	76000-86-40-250
10	5/8" Hex Nut	76800-86-6
11, 17	5/8" Steel Washers	76304-86-6
12	5/8" Fiber Washers	76289-91-6
13	5/8" Cap Nut	76268-08-61
13	5/8" Cap Nut for Toto Fixture	76285-08-1
14	1/2" x 1 3/4" Bolt	76233-86-6
16	5/8" Bolt for Base	76238-86-6
8	Set Screw f/Yoke f/M40, ea (3 reqd)	76181-86-6
8, 9	Yoke Assembly for M40	M40YOKE
	M51 Anchor Foot Trim	M-51TRIM
*	Smith Seal	70753-65-6
Rough Trim Kits		
	f/Securing Face Plate and Bases to Fitting	R-91
	0200-M54 Rough Trim	R-105
	Trim Bag f/ M-40 Kit	R-60
Finished Trim Kits w/Neoprene Gaskets		
11-14, 20	Finished Trim: Cap Nuts, Fiber Washers, Steel Washers, No 90 Smith Seal	F-1N
11-14, 20	F-1N Fin Trim for Vandal Proof	F-1NV
*	0200-M59 Fin Trim: 2 CP Steel Cap Nuts, Fiber Washers, No 90 Smith Seal	F-1M59
Bases		
7, 15	Pair Bases for 0200-0400 Series	0100B
7, 15	Base for 0200-M54, ea	0200M54-LEG
18	M40 Bases, Pair	M40BASE
*	115 Series Bases, Pair	0100M50



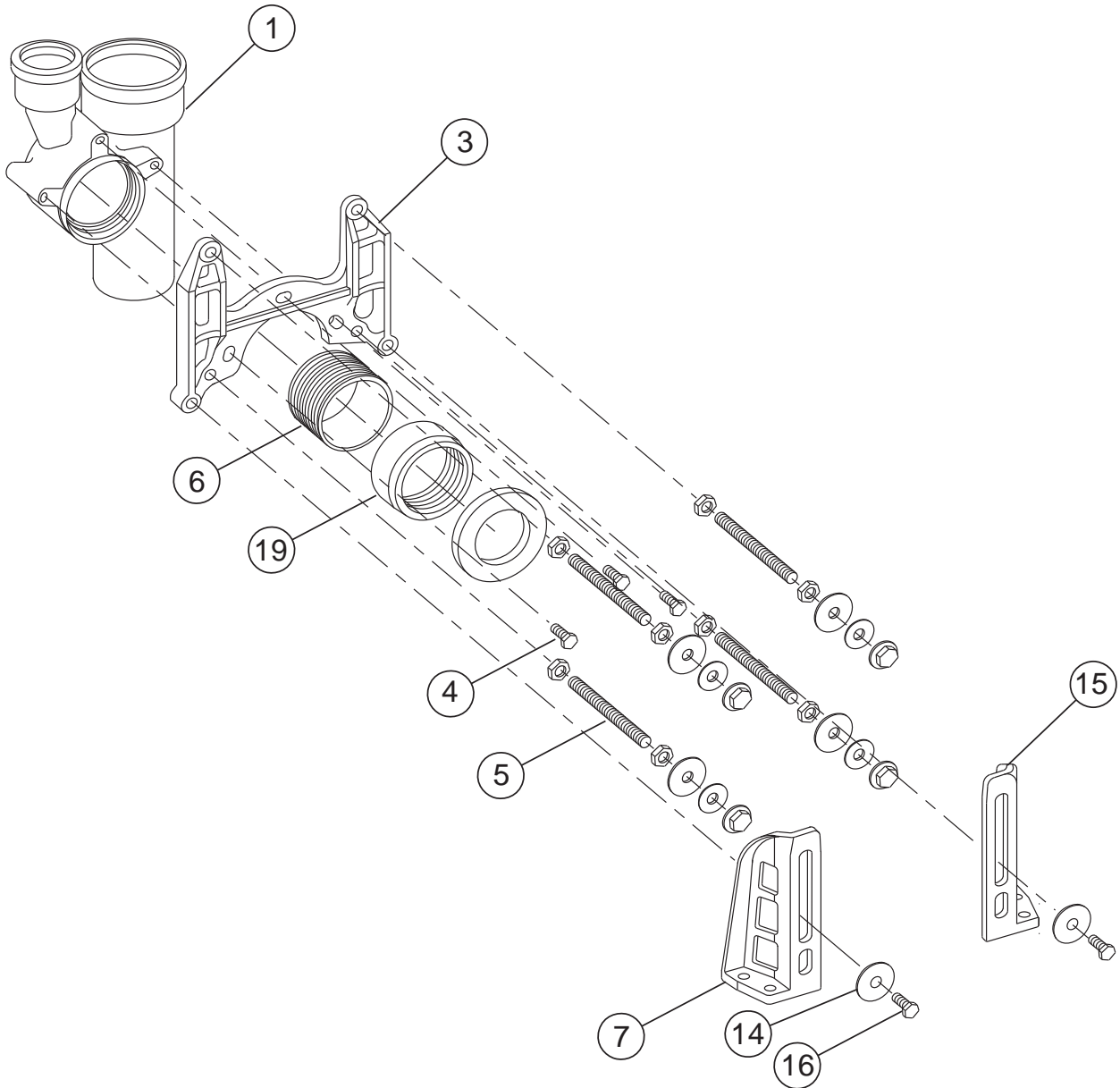
**Jay R. Smith Mfg. Co.
Wholesaler's
Parts Order Number Guide**

0200 Series

PART	DESCRIPTION	ITEM NUMBER
Finished Trim w/Felt Gasket		
11-14, 20	Finished Trim: 4 ea CP Cap Nuts, Fiber Washers, Steel Washers, and Smith Seal	F-1F
11-14, 20	F-1F Fin Trim Vandal Proof	F-1FV
*	Fin Trim f/Type 2:Back Outlet Gasket, 2 ea Closet Bolts, Open End CP Cap Nuts and Steel Washers, and Smith Seal	F-9
	F-9 Fin Trim Vandal Proof	F-9U
Miscellaneous Finish Trim		
*	0100-0600 Washer Trim Bag w/4 ea CP Cap Nuts and Fiber Washers	F-5
Outlet Gaskets		
20	Neoprene Outlet Gasket	0100GASKET-NEOP
20*	Felt Outlet Gasket	0100GASKET-FELT
0300 Trim		
	0300 Trim Less Fitting	0300TN
	0300Trim Less Fitting Less Nipple Kit	0300TL

0410

Jay R. Smith Mfg. Co.
Wholesaler's
Parts Order Number Guide





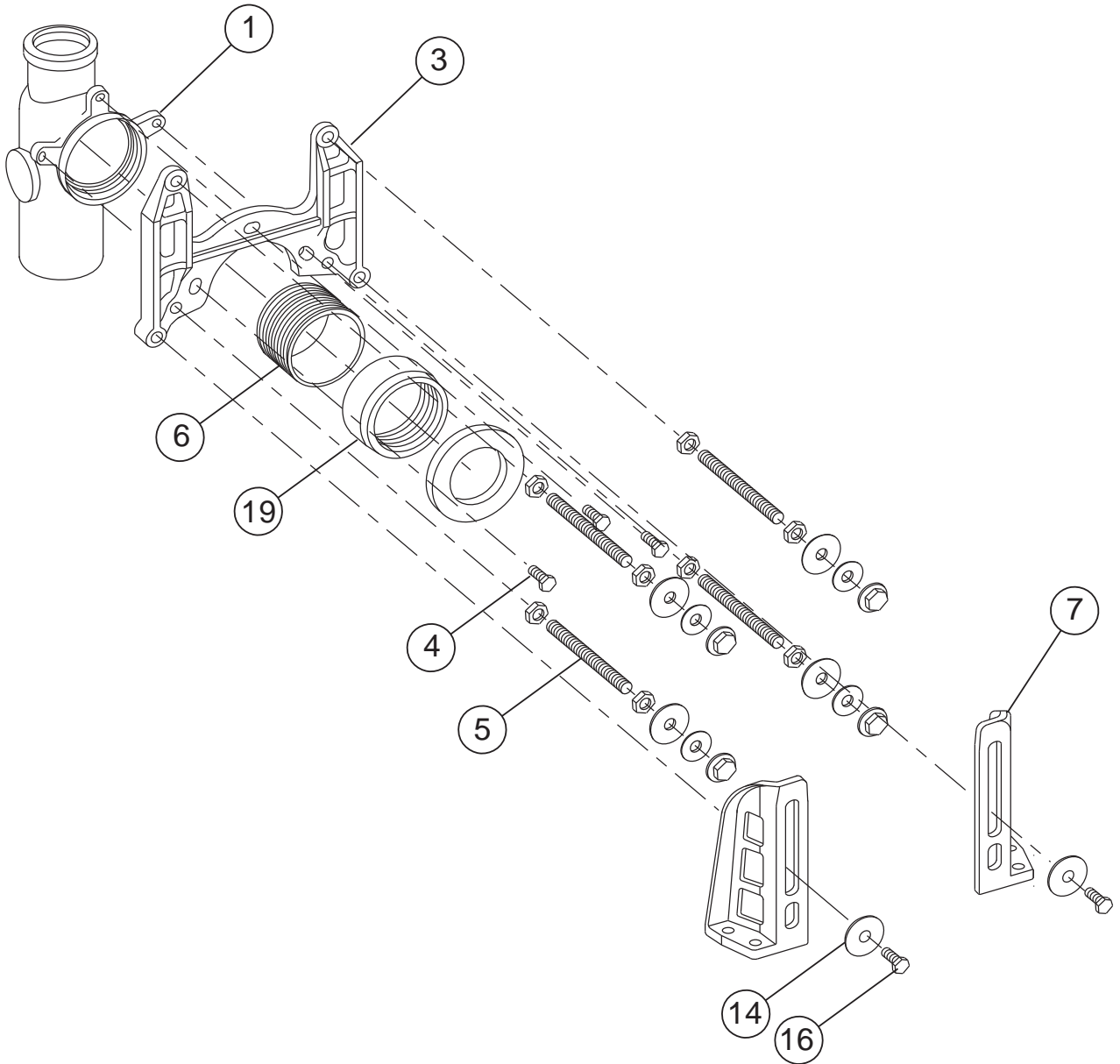
**Jay R. Smith Mfg. Co.
Wholesaler's
Parts Order Number Guide**

**0410
Cat Pg 0-14**

PART	DESCRIPTION	ITEM NUMBER
1	Vertical Ftg, Caulk Left Hand	0410LF
1	Vertical Ftg, Caulk Right Hand	0410RF
1	Vertical Ftg, Caulk Double	0410DF
1	Vertical Ftg, No-Hub Left Hand	0410LYF
1	Vertical Ftg, No-Hub Right Hand	0410RYF
1	Vertical Ftg, No-Hub Double	0410DYF
2	Not Applicable—Face Plate Gasket	
3	Face Plate, 0400 Series	0400FP
4, 14, 16	Rough Trim f/Securing Face Plate and Bases to Fitting	R-93
5	5/8" Studs x 8"	76000-86-40-080
5	5/8" Studs x 12"	76000-86-40-120
5	5/8" Studs x 17"	76000-86-40-170
5	5/8" Studs x 20"	76000-86-40-200
6	4 x 8 1/4" ABS Nipple	0100N08P
6	4 x 10" PVC Nipple	0100N10P
6	4 x 12" PVC Nipple	0100N12P
6	4 x 15" PVC Nipple	0100N15P
19	4 x 3 1/4" ABS Coupling	0100C-P
7, 15	Pair Bases for 0100-0400 Series	0100B
	Trim Less Fitting	0400TN
	Trim Less Fitting and Nipple Kit	0400TL
	Finished Trim to incl Cap Nuts, Fiber Washers, Steel Washers, No 90 Smith Seal, Neoprene Outlet Gasket	F-1N

0440, 0450
Cat. Pg 0-15

Jay R. Smith Mfg. Co.
Wholesaler's
Parts Order Number Guide





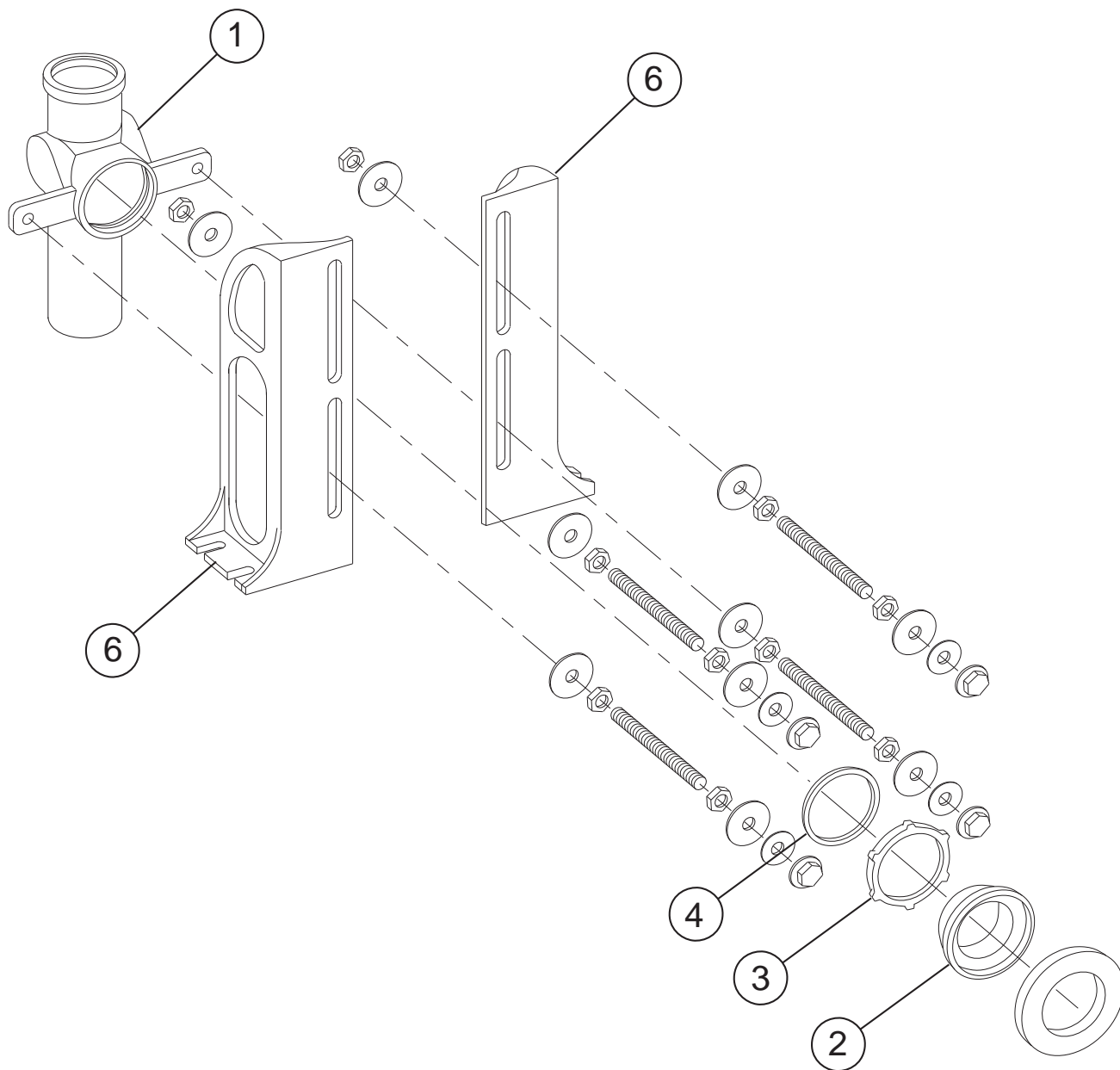
**Jay R. Smith Mfg. Co.
Wholesaler's
Parts Order Number Guide**

**0440, 0450
Cat Pg 0-15**

PART	DESCRIPTION	ITEM NUMBER
1	Vertical Fitting, 4 x 2" Caulk	0440F
1	Vertical Fitting, 4 x 2" No-Hub	0440YF
1	Vertical Fitting, 4 x 4" Caulk	0450F
1	Vertical Fitting, 4 x 4" No-Hub	0450YF
2	Not Applicable—Face Plate Gasket	
3	Faceplate	0400FP
4,14,16	Rough Trim f/Securing Face Plate and Bases to Fitting	R-93
5	5/8" Studs x 8"	76000-86-40-080
5	5/8" Studs x 12"	76000-86-40-120
5	5/8" Studs x 17"	76000-86-40-170
5	5/8" Studs x 20"	76000-86-40-200
6	4 x 8 1/4" ABS Nipple	0100N08P
6	4 x 10" PVC Nipple	0100N10P
6	4 x 12" PVC Nipple	0100N12P
6	4 x 15" PVC Nipple	0100N15P
19	4 x 3 1/4" ABS Coupling	0100C-P
7	Pair Bases for 0100-0400 Series Finished Trim to incl Cap Nuts, Fiber Washers, Steel Washers, No 90 Smith Seal, Neoprene Outlet Gasket	0100B F-1N

0532, 0532F, 0533, 0533F,
0542, 0542F, 0544, 0544F
Cat. Pg 0-17

Jay R. Smith Mfg. Co.
Wholesaler's
Parts Order Number Guide





**Jay R. Smith Mfg. Co.
Wholesaler's
Parts Order Number Guide**

**0532, 0532F, 0533,
0533F, 0542, 0542F,
0544, 0544F Cat Pg 0-17**

PART	DESCRIPTION	ITEM NUMBER
1	Vertical Fitting, 3 x 2" Caulk	0532FO
1	Vertical Fitting, 3 x 2" No-Hub	0532YF
1	Vertical Fitting, 4 x 2" Caulk	0542FO
1	Vertical Fitting, 4 x 2" No-Hub	0542YF
2	Coupling, 1 ⁷ / ₈ "	0532C-1
2	Coupling, 2 ¹ / ₄ "	0532C-2
2	Coupling, 3 ¹³ / ₁₆ "	0532C-3
2	Coupling, 6 ³ / ₄ "	0532C-6
2	Coupling, 10"	0532C-10
2	Coupling, 14"	0532C-14
3	Locknut	0532LOCKNUT
4	O Ring	76370-94-6
*	Faceplate, LH Stud Mnt 532, 533, 542, 544	71600-86-6
*	Faceplate, RH Stud Mnt 532, 533, 542, 544	71601-86-6
*	Strap 532, 533, 542, 544	71602-86-6
6	CI Frame LH Flr Mnt 532F, 533F, 542F, 544F	05160-10-0
6	CI Frame RH Flr Mnt 532F, 533F, 542F, 544F	05161-10-0
	532-544 Rough Trim ⁵ / ₈ " Nuts, Washers	R-20
	532F-544F Rough Trim ⁵ / ₈ " Nuts, Washers	R-50
	Finish Trim	F-1N
2, 3, 4	Nipple Kit**	0532N01K
2, 3, 4	Nipple Kit**	0532N02K
2, 3, 4	Nipple Kit**	0532N03K
2, 3, 4	Nipple Kit**	0532N06K
2, 3, 4	Nipple Kit**	0532N10K
2, 3, 4	Nipple Kit**	0532N14K
*	0548 3" Coupling	0548C-3
*	0548 4" Coupling	0548C-4

*Available but not shown

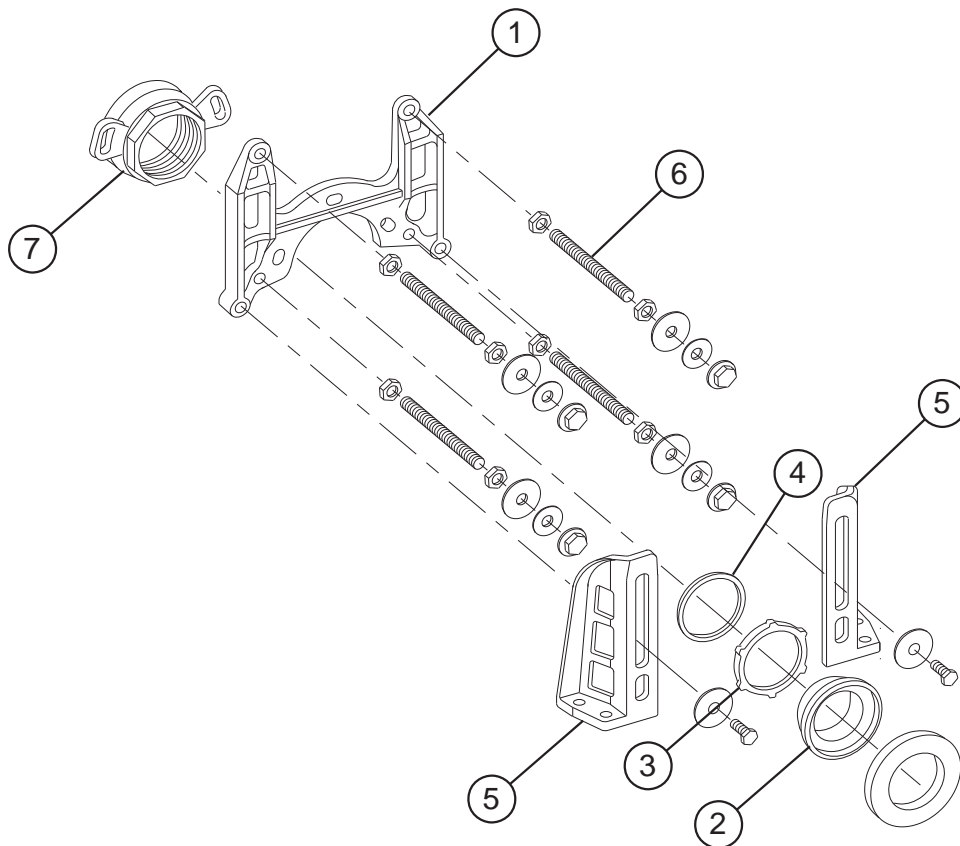
**Includes Adj Threaded Coupling with Studs, Lock Nut, and O Ring

0600
Cat Pg 0-21

Jay R. Smith Mfg. Co.
Wholesaler's
Parts Order Number Guide



PART	DESCRIPTION	ITEM NUMBER
1	Faceplate	0400FP
2	Coupling, 1 $\frac{7}{8}$ "	0532C-1
2	Coupling, 2 $\frac{1}{4}$ "	0532C-2
2	Coupling, 3 $\frac{13}{16}$ "	0532C-3
2	Coupling, 6 $\frac{3}{4}$ "	0532C-6
2	Coupling, 10"	0532C-10
2	Coupling, 14"	0532C-14
3	Locknut	0532LOCKNUT
4	O Ring	76370-94-6
5	Pair Bases for 0100-0400 Series	0100B
6	$\frac{5}{8}$ " Stud x 8" Long	76000-86-40-080
6	$\frac{5}{8}$ " Stud x 12" Long	76000-86-40-120
7	Collar	0600C
	Rough Trim, Screws, Nuts, Washers	R-100
	Finish Trim, Cap Nuts, Gasket	F-1N





**Jay R. Smith Mfg. Co.
Wholesaler's
Parts Order Number Guide**

**0629, 0630,
0632, 0633
Cat Pg 0-23**

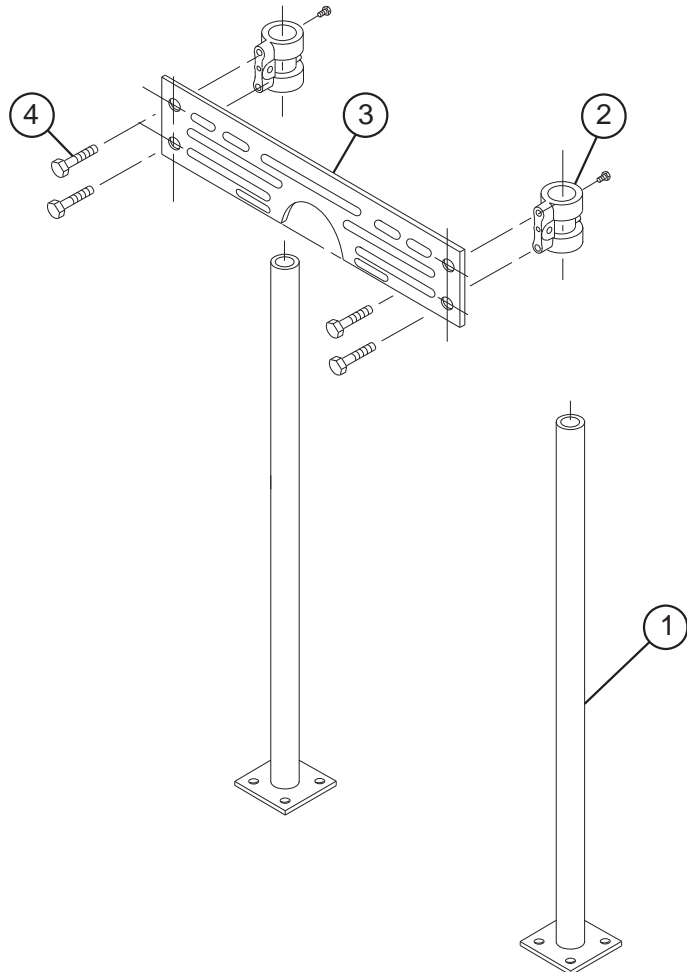
PART	DESCRIPTION	ITEM NUMBER
Fig. 0629, 0630		
	Yoke	07814-10-0
	Collar for 0629	07843-10-1
	Collar for 0630	07856-10-1
	Support Plate	73946-81-5
	Sleeves (4 reqd)	0636S
	Studs (3 reqd)	76000-86-50-060
	Finish Trim (0629)	F-2
	Rough Trim (0629)	R-629
	Upright, 36" Tall (ea)	0700UR-36
	Adjustable Coupling (Reg Furnished)	0532C-3
	Rough Trim (0630)	R-37
	Rough Trim (0630)	R-51
3	Locknut	0532LOCKNUT
4	O-Ring	76370-94-6
Fig. 0632		
	Coupling, CI	07812-10-1
	Collar, CI	0632C
	Urinal Outlet Gasket	0632GASKET
	Face Plate	0632FACEPLT
	Rough Trim	R-99
	Finish Trim	F-90
Fig. 0633		
	Coupling, CI	07813-10-1
	Collar, CI	0633C
	Urinal Outlet Gasket	0632GASKET
	Face Plate	0632FACEPLT
	Rough Trim	R-99
	Finish Trim	F-90

0634, 0636, 0643
Cat Pg 0-23

Jay R. Smith Mfg. Co.
Wholesaler's
Parts Order Number Guide



PART	DESCRIPTION	ITEM NUMBER
1	Pair of Uprights, 50", for M31	0636URP-50M31
1	Pair of Uprights, 50", for M32	0636URP-50
2	Cast Iron Sleeve for M31, ea (2 reqd)	0636S-M31
2	Cast Iron Sleeve for M32, ea (2 reqd)	0636S
3	Supporting Plate	0636P
4	5/16" Bolt, ea (4 reqd)	76169-86-6
	Trim Nuts, Studs, Washers	R-11-2
2, 3, 4	0634-M31 Less Uprights	0634LU-M31
2, 3, 4	0634-M32 Less Uprights	0634LU-M32
2, 3, 4	0636-M31 Less Uprights	0636LU-M31
2, 3, 4	0636-M32 Less Uprights	0636LU-M32
2, 3, 4	0643-M32 Less Uprights	0643LU-M31
2, 3, 4	0643-M31 Less Uprights	0643LU-M32

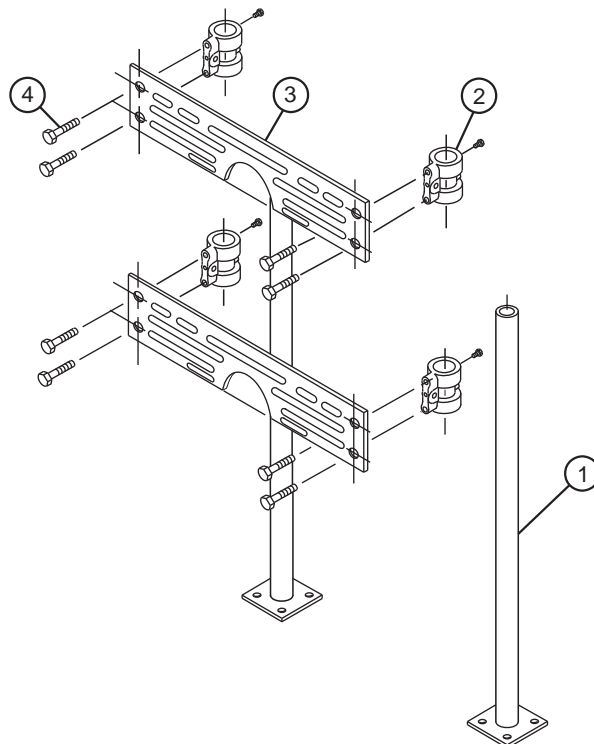




**Jay R. Smith Mfg. Co.
Wholesaler's
Parts Order Number Guide**

**0635, 0637,
0642, 0644, 0648
Cat Pg 0-23**

PART	DESCRIPTION	ITEM NUMBER
1	Upright, 50", for M31 (ea)	0637UR-M31
1	Upright, 50", for M32 (ea)	0637UR-50
2	Cast Iron Sleeve for M31, ea (4 reqd)	0637S-M31
2	Cast Iron Sleeve for M32, ea (4 reqd)	0637S
3	Supporting Plate, ea	0637P
4	5/16" Bolt, ea (8 reqd)	76169-86-6
	Trim Nuts, Studs, Washers	R-11-3
2, 3, 4	0635-M31 Less Uprights	0635LU-M31
2, 3, 4	0635-M32 Less Uprights	0635LU-M32
2, 3, 4	0637-M31 Less Uprights	0637LU-M31
2, 3, 4	0637-M32 Less Uprights	0637LU-M32
2, 3, 4	0642-M31 Less Uprights	0642LU-M31
2, 3, 4	0642-M32 Less Uprights	0642LU
2, 3, 4	0644-M31 Less Uprights	0644LU-M31
2, 3, 4	0644-M32 Less Uprights	0644LU-M32
2, 3, 4	0648-M32 Less Uprights	0648LU-M31
2, 3, 4	0648-M31 Less Uprights	0648LU-M32



**Misc Urinal/Lavatory
and Sink Supports**

**Jay R. Smith Mfg. Co.
Wholesaler's
Parts Order Number Guide**



DESCRIPTION	DESCRIPTION
0600SP	0773
0620	0781
0620-SP	0784
0636D-M32	0785-A139
0637D-M32	0790
0642-SS01-M32	0791
0643D-M31-A	0800D
0644D-M31	0800-2
0702	0802-M32
0702D	0802D
0702-1-M31	0803
0721	0810-M32
0721E	0810D-M32
0724	0811-M32
0725	0813-M32
0725-E	0814-M32
0729-E	0814D
0730	0815
0732	0816
0733	0820-M32
0740	0821 (Single)
0740D	0822
0751	0824D
0752-15-M30-M31	0824-E-M32
0752-15-M30-M32	0825D
0758	0826D
0758D	0827-BH
0758-M31-42	0827-CH
0758-M31-43	0827-SS
0771-11	0827D
0771-15	

ALWAYS SPECIFY FIXTURE MFR'S NAME AND NUMBER WHEN ORDERING