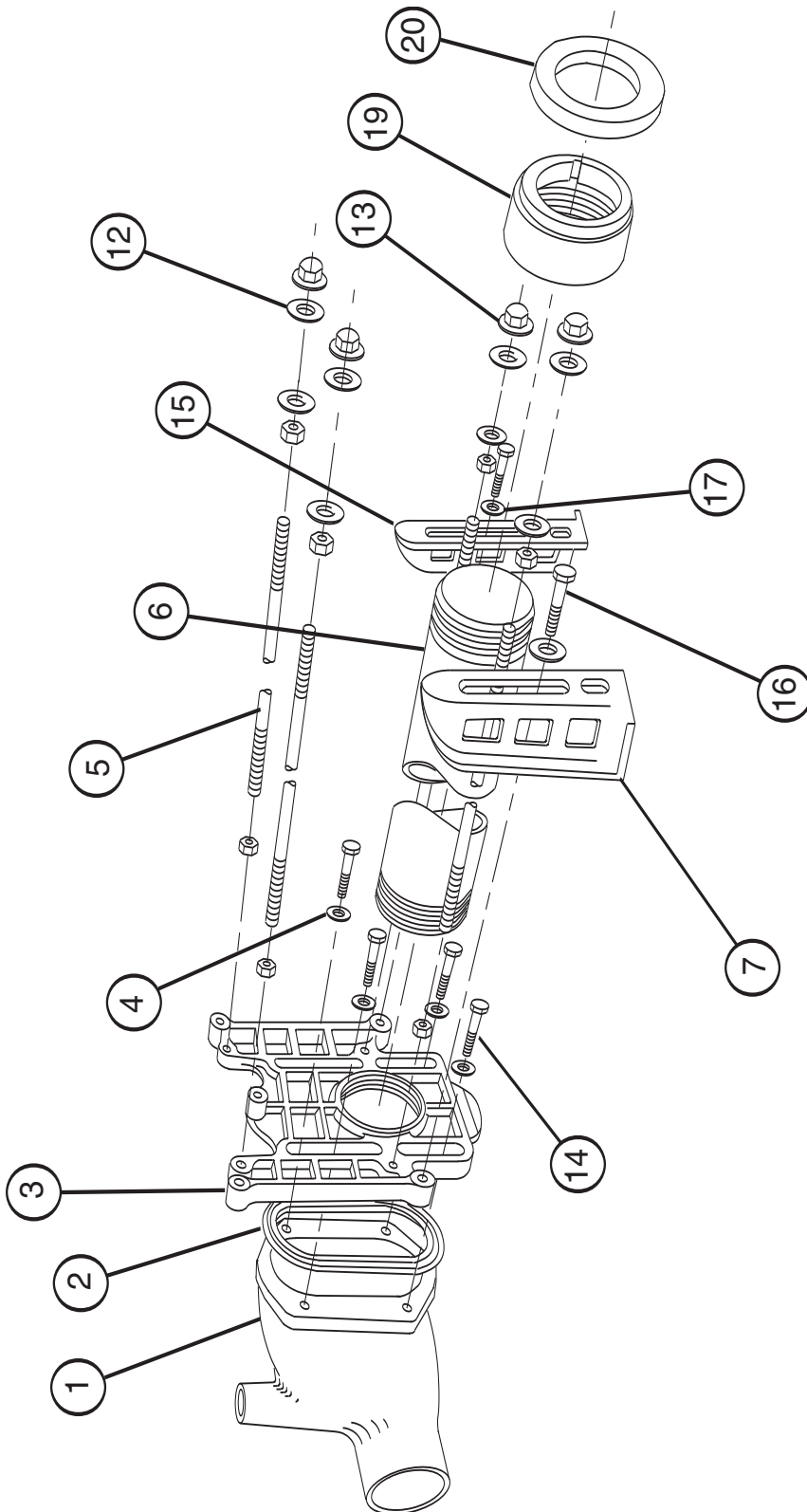




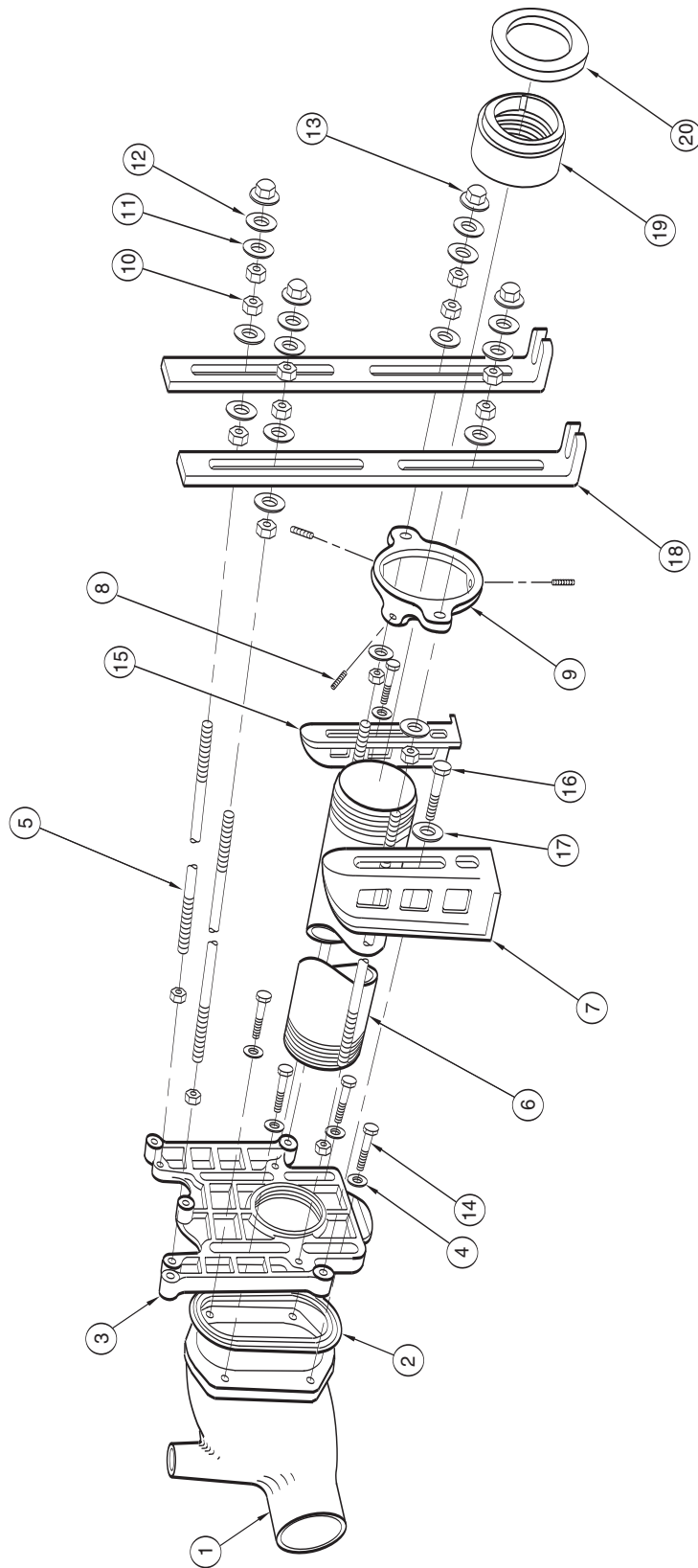
Jay R. Smith Mfg. Co.
Wholesaler's
Parts Order Number Guide

0210RY
Cat. Pg 0-11



0210RY-M40
Cat. Pg 0-11

Jay R. Smith Mfg. Co.
Wholesaler's
Parts Order Number Guide





Jay R. Smith Mfg. Co.
Wholesaler's
Parts Order Number Guide

0210, 0210-M40
Cat. Pg 0-11

PART	DESCRIPTION	ITEM NUMBER	
Fittings Only			
1	Horiz Ftg, Caulk Left Hand	0210LF	
1	Horiz Ftg, Caulk Right Hand	0210RF	
1	Horiz Ftg, Caulk Double	0210DF	
1	Horiz Ftg, No-Hub Left Hand	0210LYF	
1	Horiz Ftg, No-Hub Right Hand	0210RYF	
1	Horiz Ftg, No-Hub Double	0210DYF	
1	Horiz Ftg, Caulk L H Long Barrel	0220LF	
1	Horiz Ftg, Caulk R H Long Barrel	0220RF	
1	Horiz Ftg, Caulk Dbl Long Barrel	0220DF	
1	Horiz Ftg, No-Hub L H Long Barrel	0220LYF	
1	Horiz Ftg, No-Hub R H Long Barrel	0220RYF	
1	Horiz Ftg, No-Hub Dbl Long Barrel	0220DYF	
1	Vertical Ftg, Caulk	0230F	
1	Vertical Ftg, Caulk Double	0230DF	
1	Vertical Ftg, No-Hub	0230YF	
1	Vertical Ftg, No-Hub Double	0230DYF	
1	Vertical Ftg, Caulk L H	0240LF	
1	Vertical Ftg, Caulk R H	0240RF	
1	Vertical Ftg, Caulk Dbl	0240DF	
1	Vertical Ftg, No-Hub L H	0240LYF	
1	Vertical Ftg, No-Hub R H	0240RYF	
1	Vertical Ftg, No-Hub Dbl	0240DYF	
1	Vertical Ftg, Caulk, Two Inlets	0250F	
1	Vertical Ftg, Caulk Double, Two Inlets	0250DF	
1	Vertical Ftg, No-Hub, Two Inlets	0250YF	
1	Vertical Ftg, No-Hub Double, Two Inlets	0250DYF	
2	Face Plate Gasket	0100FP-GASKET	
3	Face Plate, 0100 Series	0100FP	
3	Face Plate, 0200 Series	0200FP	
3	Face Plate, 0200-M54 Series	0200FP-M54	
3	Face Plate, 0200-M58 Series	0200FP-M58	
3	Face Plate, 0300 Series	0300FP	
*	Type #2 Outlet Connection	0100T2CA	
*	Protector-Coupling Styrofoam	71020-40-6	

*Available, but not shown

**0100 Thru 0300
Series**

**Jay R. Smith Mfg. Co.
Wholesaler's
Parts Order Number Guide**



PART	DESCRIPTION	ITEM NUMBER	
ABS and Cast Iron Nipples			
6	4 x 3 1/4" ABS Nipple	0100N03P	
6	4 x 4 1/2" ABS Nipple	0100N04P	
6	4 x 5 1/4" ABS Nipple	0100N05P	
6	4 x 6 1/4" ABS Nipple	0100N06P	
6	4 x 7" ABS Nipple	0100N07P	
6	4 x 8 1/4" ABS Nipple	0100N08P	
6	4 x 10" PVC Nipple	0100N10P	
6	4 x 12" PVC Nipple	0100N12P	
6	4 x 15" PVC Nipple	0100N15P	
6	4 x 18" PVC Nipple	0100N18P	
6	4 x 20" PVC Nipple	0100N20P	
6	4 x 10" ABS Nipple f/-M58 Faceplate	0100N10P-M58	
6	4 x 12" PVC Nipple f/-M58 Faceplate	0100N12P-M58	
	O Ring f/Nipple f/-M58 Faceplate	77120-94-6	
6	4 x 3 1/4" Cast Iron Nipple	0100N03	
6	4 x 4 1/2" Cast Iron Nipple	0100N04	
6	4 x 5 1/4" Cast Iron Nipple	0100N05	
6	4 x 6 1/4" Cast Iron Nipple	0100N06	
6	4 x 7" Cast Iron Nipple	0100N07	
6	4 x 8 1/4" Cast Iron Nipple	0100N08	
6	4 x 10" Cast Iron Nipple	0100N10	
6	4 x 12" Cast Iron Nipple	0100N12	
6	4 x 15" Cast Iron Nipple	0100N15	
6	4 x 18" Cast Iron Nipple	0100N18	
6	4 x 5 1/4" PVC Nipple, f/Type 5	0100N05-5	
6	4 x 6 1/4" PVC Nipple, f/Type 5	0100N06-5	
6	4 x 7" PVC Nipple, f/Type 5	0100N07-5	
6	4 x 8 1/4" PVC Nipple, f/Type 5	0100N08-5	
6	4 x 10" PVC Nipple, f/Type 5	0100N10-5	
6	4 x 12" PVC Nipple, f/Type 5	0100N12-5	
6	4 x 15" PVC Nipple, f/Type 5	0100N15-5	
6	4 x 18" PVC Nipple, f/Type 5	0100N18-5	



**Jay R. Smith Mfg. Co.
Wholesaler's
Parts Order Number Guide**

**0100 Thru 0300
Series**

PART	DESCRIPTION	ITEM NUMBER
ABS Nipple Kits		
5, 6,19	Kit: Studs, 3 1/4" ABS Npl & Cplg	0100N03KP
5, 6,19	Kit: Studs, 4 1/2" ABS Npl & Cplg	0100N04KP
5, 6,19	Kit: Studs, 5 1/4" ABS Npl & Cplg	0100N05KP
5, 6,19	Kit: Studs, 6 1/4" ABS Npl & Cplg	0100N06KP
5, 6,19	Kit: Studs, 7" ABS Npl & Cplg	0100N07KP
5, 6,19	Kit: Studs, 8 1/4" ABS Npl & Cplg	0100N08KP
5, 6,19	Kit: Studs, 10" PVC Npl & Cplg	0100N10KP
5, 6,19	Kit: Studs, 12" PVC Npl & Cplg	0100N12KP
5, 6,19	Kit: Studs, 15" PVC Npl & Cplg	0100N15KP
5, 6,19	Kit: Studs, 18" PVC Npl & Cplg	0100N18KP
5, 6,19	Kit: Studs, 20" PVC Npl & Cplg	0100N20KP
5, 6,19	Kit: Studs, 10" -M58 ABS Npl & Cplg	0100N10KP-M58
5, 6,19	Kit: Studs, 12" -M58 PVC Npl & Cplg	0100N12KP-M58
5, 6,19	Kit: Studs, 3 1/4" ABS Npl & Cplg, f/Type 2	0100N03KP-2
5, 6,19	Kit: Studs, 8 1/4" ABS Npl & Cplg, f/Type 2	0100N08KP-2
5, 6,19	Kit: Studs, 10" PVC Npl & Cplg, f/Type 2	0100N10KP-2
5, 6,19	Kit: Studs, 12" PVC Npl & Cplg, f/Type 2	0100N12KP-2
5, 6,19	Kit: Studs, 15" PVC Npl & Cplg, f/Type 2	0100N15KP-2
5, 6,19	Kit: Studs, 18" PVC Npl & Cplg, f/Type 2	0100N18KP-2
5, 6,19	Kit Studs, 7" ABS Npl & Cplg, f/Type 5	0100N07KP-5
5, 6,19	Kit: Studs, 8 1/4" PVC Npl & Cplg, f/Type 5	0100N08KP-5
5, 6,19	Kit: Studs, 9" PVC Npl & Cplg, f/Type 5	0100N09KP-5
5, 6,19	Kit: Studs, 10" PVC Npl & Cplg, f/Type 5	0100N10KP-5
5, 6,19	Kit: Studs, 12" PVC Npl & Cplg, f/Type 5	0100N12KP-5
5, 6,19	Kit: Studs, 15" PVC Npl & Cplg, f/Type 5	0100N15KP-5
5, 6,19	Kit: Studs, 18" PVC Npl & Cplg, f/Type 5	0100N18KP-5
5, 6,19	Kit: Studs, 3 1/4" ABS Npl & Cast Iron Cplg	0100N03KP-CICPLG
5, 6,19	Kit: Studs, 8 1/4" ABS Npl & Cast Iron Cplg	0100N08KP-CICPLG
5, 6,19	Kit: Studs, 10" PVC Npl & Cast Iron Cplg	0100N10KP-CICPLG
5, 6,19	Kit: Studs, 12" PVC Npl & Cast Iron Cplg	0100N12KP-CICPLG
5, 6,19	Kit: Studs, 15" PVC Npl & Cast Iron Cplg	0100N15KP-CICPLG
5, 6,19	Kit: Studs, 18" PVC Npl & Cast Iron Cplg	0100N18KP-CICPLG
5, 6,19	Kit: Studs, 20" PVC Npl & Cast Iron Cplg	0100N20KP-CICPLG

**0100 Thru 0300
Series**

**Jay R. Smith Mfg. Co.
Wholesaler's
Parts Order Number Guide**



PART	DESCRIPTION	ITEM NUMBER	
Cast Iron Nipple Kits			
5, 6,19	Kit: Studs, 3 1/4" Cast Iron Npl & Cplg	0100N03K	
5, 6,19	Kit: Studs, 4 1/2" Cast Iron Npl & Cplg	0100N04K	
5, 6,19	Kit: Studs, 5 1/4" Cast Iron Npl & Cplg	0100N05K	
5, 6,19	Kit: Studs, 6 1/4" Cast Iron Npl & Cplg	0100N06K	
5, 6,19	Kit: Studs, 7" Cast Iron Npl & Cplg	0100N07K	
5, 6,19	Kit: Studs, 8 1/4" Cast Iron Npl & Cplg	0100N08K	
5, 6,19	Kit: Studs, 10" Cast Iron Npl & Cplg	0100N10K	
5, 6,19	Kit: Studs, 12" Cast Iron Npl & Cplg	0100N12K	
5, 6,19	Kit: Studs, 15" Cast Iron Npl & Cplg	0100N15K	
5, 6,19	Kit: Studs, 18" Cast Iron Npl & Cplg	0100N18K	
5, 6,19	Kit: Studs, 20" Cast Iron Npl & Cplg	0100N20K	
5, 6,19	Kit: Studs, 3 1/4" CI Npl & Cplg, f/Type 2	0100N03K-2	
5, 6,19	Kit: Studs, 4 1/2" CI Npl & Cplg, f/Type 2	0100N04K-2	
5, 6,19	Kit: Studs, 5 1/4" CI Npl & Cplg, f/Type 2	0100N05K-2	
5, 6,19	Kit: Studs, 6 1/4" CI Npl & Cplg, f/Type 2	0100N06K-2	
5, 6,19	Kit: Studs, 8 1/4" CI Npl & Cplg, f/Type 2	0100N08K-2	
5, 6,19	Kit: Studs, 10" CI Npl & Cplg, f/Type 2	0100N10K-2	
5, 6,19	Kit: Studs, 12" CI Npl & Cplg, f/Type 2	0100N12K-2	
5, 6,19	Kit: Studs, 15" CI Npl & Cplg, f/Type 2	0100N15K-2	
5, 6,19	Kit: Studs, 18" CI Npl & Cplg, f/Type 2	0100N18K-2	
5, 6,19	Kit: Studs, 3 1/4" -M58 CI Npl & Cplg	0100N03K-M58	
5, 6,19	Kit: Studs, 4 1/2" -M58 CI Npl & Cplg	0100N04K-M58	
5, 6,19	Kit: Studs, 5 1/4" -M58 CI Npl & Cplg	0100N05K-M58	
5, 6,19	Kit: Studs, 6 1/4" -M58 CI Npl & Cplg	0100N06K-M58	
5, 6,19	Kit: Studs, 7" -M58 CI Npl & Cplg	0100N07K-M58	
5, 6,19	Kit: Studs, 8 1/4" -M58 CI Npl & Cplg	0100N08K-M58	
5, 6,19	Kit: Studs, 10" -M58 CI Npl & Cplg	0100N10K-M58	
5, 6,19	Kit: Studs, 12" -M58 CI Npl & Cplg	0100N12K-M58	
5, 6,19	Kit: Studs, 15" -M58 CI Npl & Cplg	0100N15K-M58	
5, 6,19	Kit: Studs, 18" -M58 CI Npl & Cplg	0100N18K-M58	
5, 6,19	Kit: Studs, 20" -M58 CI Npl & Cplg	0100N20K-M58	
*	O Ring f/Nipple f/-M58 Face Plate	77120-94-6	



**Jay R. Smith Mfg. Co.
Wholesaler's
Parts Order Number Guide**

0200 Series

PART	DESCRIPTION	ITEM NUMBER	
------	-------------	-------------	--

Trim Kits Less Fittings

All Trim Kits include regularly furnished faceplate and faceplate gasket, standard legs, R-91 Rough Trim Kit and Finish Trim Kit as specified.

Less Nipple Kit w/Neoprene Gaskets

*	Trim Less Ftg Less Npl Kit with F-1N Trim Kit	0200TL
*	Trim Less Ftg Less Npl Kit, Vandal Proof	0200TL-U
*	Trim Less Ftg Less Npl Kit f/Type 2	0200TL2
*	Trim Less Ftg Less Npl Kit f/Type 2, -U	0200TL2-U
*	Trim Less Ftg Less Npl Kit f/M50	0200TL-M50
*	Trim Less Ftg Less Npl Kit f/M54	0200TL-M54
*	Trim Less Ftg Less Npl Kit f/M54-M51	0200TL-M54-M51
*	Trim Less Ftg Less Npl Kit f/M58	0200TL-M58
*	Trim Less Ftg Less Npl Kit f/M58-M54	0200TL-M58-M54
*	Trim Less Ftg Less Npl Kit f/M59	0200TL-M59
*	Trim Less Ftg Less Npl Kit f/M77	0200TL-M77

Less Nipple Kit w/Felt Gaskets

*	Trim Less Ftg Less Npl Kit with F-1F Trim Kit w/Felt Gasket	0200TLF
*	Trim Less Ftg Less Npl Kit, Vandal Proof	0200TLF-U
*	Trim Less Ftg Less Npl Kit f/M50	0200TLF-M50
*	Trim L/Ftg L/Npl Kit f/M50, Vandal Proof	0200TL-M50-U

Couplings

19	ABS Coupling	0100C-P
19	Cast Iron Coupling	0100C
19	Cast Iron Half Coupling	0100C1
19	Cast Iron Coupling, 6" Long	0100C-6
19	Cast Iron Coupling, Type No 2	0100CG
19	Cast Iron Coupling, Type 2M	0100C-2M
	Coupling Wrench	0099

0200 Series**Jay R. Smith Mfg. Co.
Wholesaler's
Parts Order Number Guide**

PART	DESCRIPTION	ITEM NUMBER	
Miscellaneous Hardware			
5	5/8" Studs x 8" (for 3 1/4" Nipple)	76000-86-40-080	
5	5/8" Studs x 12" (for 8" Nipple)	76000-86-40-120	
5	5/8" Studs x 17" (for 10-12" Nipple)	76000-86-40-170	
5	5/8" Studs x 18" (for 10-12" Nipple)	76000-86-40-180	
5	5/8" Studs x 20" (for 15" Nipple)	76000-86-40-200	
5	5/8" Studs x 22" (for 18" Nipple)	76000-86-40-220	
5	5/8" Studs x 25" (for 20" Nipple)	76000-86-40-250	
10	5/8" Hex Nut	76800-86-6	
11, 17	5/8" Steel Washers	76304-86-6	
12	5/8" Fiber Washers	76289-91-6	
13	5/8" Cap Nut	76268-08-61	
13	5/8" Cap Nut for Toto Fixture	76285-08-1	
14	1/2" x 1 3/4" Bolt	76233-86-6	
16	5/8" Bolt for Base	76238-86-6	
8	Set Screw f/Yoke f/M40, ea (3 Reqd)	76181-86-6	
8, 9	Yoke Assembly for M40	M40YOKE	
	M51 Anchor Foot Trim	M-51TRIM	
*	Smith Seal	70753-65-6	
Rough Trim Kits			
	f/Securing Face Plate and Bases to Fitting	R-91	
	0200-M54 Rough Trim	R-105	
	Trim Bag f/ M-40 Kit	R-60	
Finished Trim Kits w/Neoprene Gaskets			
11-14, 20	Finished Trim: Cap Nuts, Fiber Washers, Steel Washers, No 90 Smith Seal	F-1N	
11-14, 20	F-1N Fin Trim for Vandal Proof	F-1NV	
*	0200-M59 Fin Trim: 2 CP Steel Cap Nuts, Fiber Washers, No 90 Smith Seal	F-1M59	
Bases			
7, 15	Pair Bases for 0200-0400 Series	0100B	
7, 15	Base for 0200-M54, ea	0200M54-LEG	
18	M40 Bases, Pair	M40BASE	
*	115 Series Bases, Pair	0100M50	



**Jay R. Smith Mfg. Co.
Wholesaler's
Parts Order Number Guide**

0200 Series

PART	DESCRIPTION	ITEM NUMBER	
Finished Trim w/Felt Gasket			
11-14, 20	Finished Trim: 4 ea CP Cap Nuts, Fiber Washers, Steel Washers, and Smith Seal	F-1F	
11-14, 20	F-1F Fin Trim Vandal Proof	F-1FV	
*	Fin Trim f/Type 2:Back Outlet Gasket, 2 ea Closet Bolts, Open End CP Cap Nuts and Steel Washers, and Smith Seal	F-9	
	F-9 Fin Trim Vandal Proof	F-9U	
Miscellaneous Finish Trim			
*	0100-0600 Washer Trim Bag w/4 ea CP Cap Nuts and Fiber Washers	F-5	
Outlet Gaskets			
20	Neoprene Outlet Gasket	0100GASKET-NEOP	
20*	Felt Outlet Gasket	0100GASKET-FELT	
0300 Trim			
	0300 Trim Less Fitting	0300TN	
	0300Trim Less Fitting Less Nipple Kit	0300TL	