

LAVATORY SUPPORTS WITH CONCEALED ARMS

WALL MOUNTED

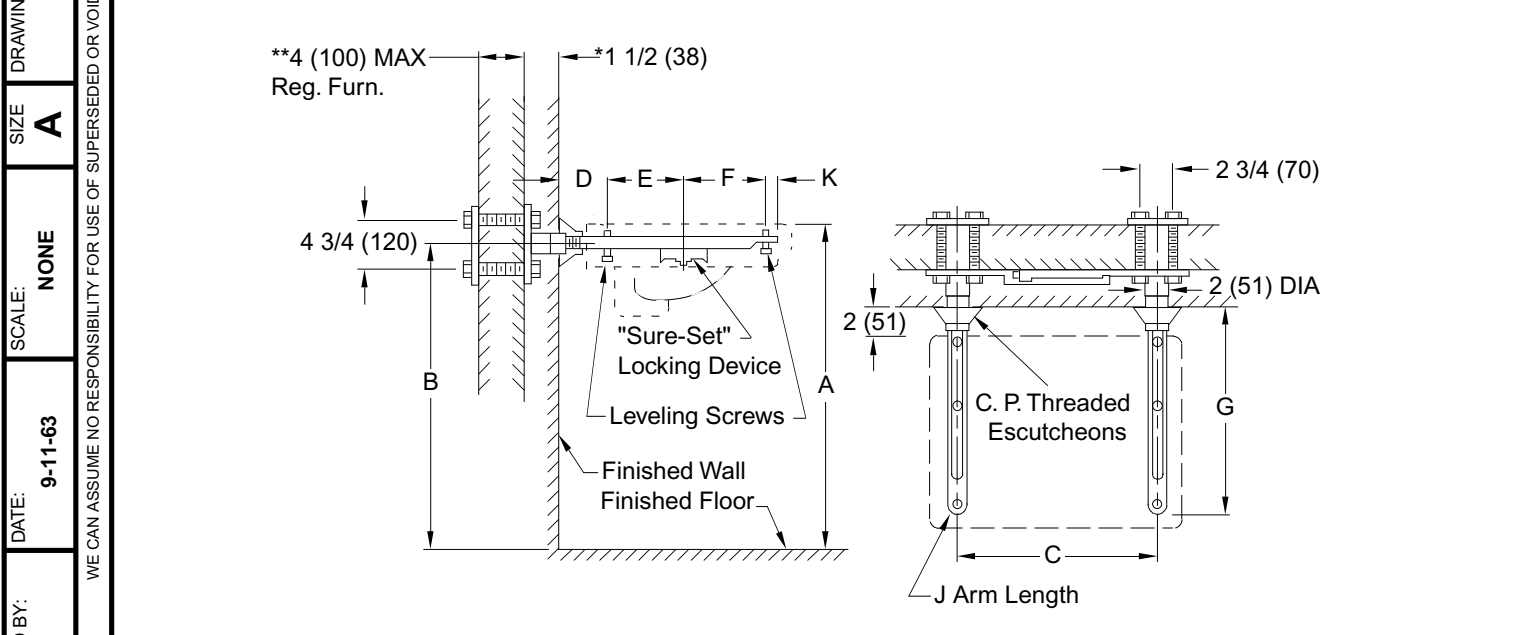


Fig. 0720 (-E) ... FOR FLAT SLAB LAVATORIES SET ON MASONRY OR STUD WALL

* This dimension can be increased when required (specify thickness).
 ** For greater wall thickness, longer supporting studs can be furnished (specify wall thickness).

ROUGHING-IN TABLE

FIXTURE NAME				NUMBER				SIZE	
A	B	C	D	E	F	G	J	K	

NOTE: The rough-in dimensions listed on this drawing are based on current information available to Jay R. Smith by the fixture manufacturers. We recommend that you verify these dimensions with the fixture manufacturer. We will not accept responsibility for rough-in dimension changes by the fixture manufacturer.

NOTE: Dimensions shown in parenthesis are in millimeters.

DRAWING NUMBER: **S0720 (-E) (B)**

SIZE: **A**

SCALE: **NONE**

DATE: **9-11-63**

APPROVED BY: **RP**

CHECKED BY: **SL**

DRAWN BY: **SL**

FIGURE NUMBER: **0720 (-E)**

WE CAN ASSUME NO RESPONSIBILITY FOR USE OF SUPERSEDED OR VOID DATA

DIMENSIONS ARE SUBJECT TO MANUFACTURERS TOLERANCE AND CHANGE WITHOUT NOTICE

B	4-10-95	Chg'd Dim, Added Millimeters	EMB	BS	WEIGHT POUNDS	VOLUME CUBIC FEET	FIGURE NUMBER
A	8-9-93	Submittal Update	EMB	BS			
REV.	DATE	DESCRIPTION	BY	CKD. BY			0720 (-E)