

**LAVATORY SUPPORTS
 WITH CONCEALED ARMS**

WALL MOUNTED

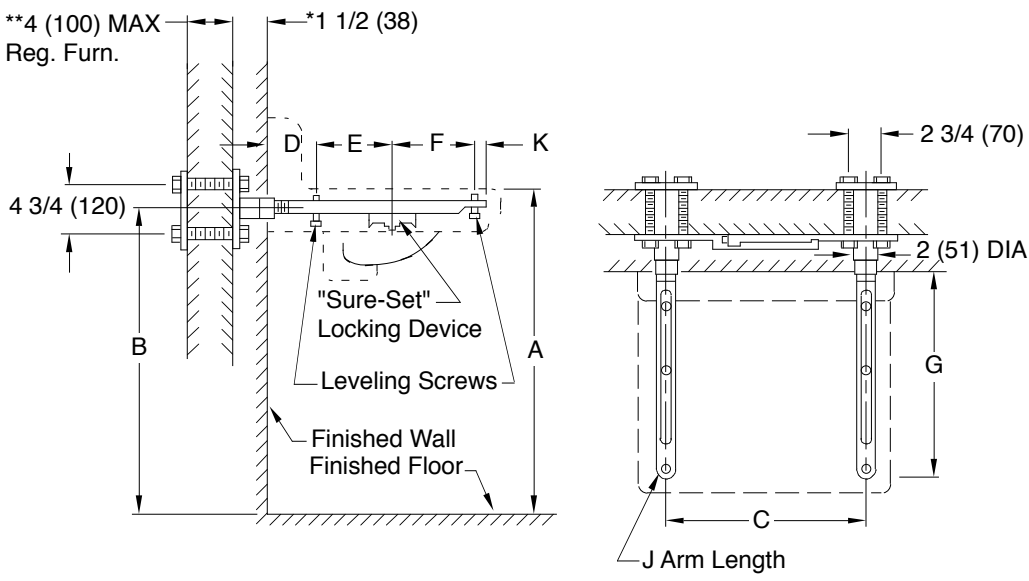


Fig. 0720 . . . FOR HIGH BACK LAVATORIES SET ON MASONRY OR STUD WALL

*This dimension can be increased when required (specify thickness).
 **For greater wall thickness, longer supporting studs can be furnished (specify wall thickness).

ROUGHING-IN TABLE

FIXTURE MFG.	NAME	NUMBER	SIZE	A	B	C	D	E	F	G	J	K
AM. STD.	LUCERNE	0350.132	20 x 18 (510 x 455)	31 (785)	29 1/4 (745)	16 3/4 (425)	4 (100)	6 (150)	6 (150)	16 1/2 (420)	19 (485)	1/2 (13)
AM. STD.	LUCERNE	0350.603	24 x 20 (610 x 510)	31 (785)	29 1/4 (745)	20 1/4 (515)	4 (100)	7 (180)	7 (180)	18 1/2 (470)	20 (510)	1/2 (13)
AM. STD.	LUCERNE	0351.072	20 x 18 (510 x 455)	31 (785)	29 1/4 (745)	16 3/4 (425)	4 (100)	6 (150)	6 (150)	16 1/2 (420)	19 (485)	1/2 (13)
AM. STD.	LUCERNE	0351.247	24 x 20 (610 x 510)	31 (785)	29 1/4 (745)	20 1/4 (515)	4 (100)	7 (180)	7 (180)	18 1/2 (470)	20 (510)	1/2 (13)
CRANE	NORWICH	1-194	20 x 18 (510 x 455)	31 (785)	29 3/8 (748)	16 1/4 (415)	4 (100)	5 5/8 (143)	4 3/8 (113)	14 1/2 (370)	16 (405)	1/2 (13)
CRANE	NORWICH	1-194	24 x 21 (610 x 535)	31 (785)	29 3/8 (748)	19 1/2 (495)	4 (100)	5 5/8 (143)	7 1/8 (183)	17 1/4 (440)	19 (485)	1/2 (13)
ELJER	DELWYN	051-1634, 1838	18 (455) x 15 (380)	31 (785)	29 1/4 (745)	15 1/2 (395)	3 (76)	5 (125)	4 3/4 (120)	13 1/2 (345)	17M (430)	3/4 (19)
ELJER	SIGNATURE	051-2101, 4, 8	20 (510) x 18 (455)	34 (865)	32 (815)	17 (430)	4 (100)	5 5/8 (143)	5 5/8 (143)	15 3/4 (400)	18M (455)	1/2 (13)
KOHLER	GREENWICH	K-2030, 1, 2, 4, 6	20 x 18 (510 x 455)	31 (785)	29 (735)	17 1/4 (440)	3 1/4 (83)	5 1/4 (135)	5 1/4 (135)	14 1/4 (360)	16 (405)	1/2 (13)
KOHLER	GREENWICH	K-2030, 1, 2, 4, 6	24 x 20 (610 x 510)	31 (785)	29 (735)	19 (485)	3 1/4 (83)	5 3/4 (145)	6 1/4 (160)	16 3/4 (425)	19 (485)	1 1/2 (38)
U. RUNDLE	NEW CAMDEN	4648, 9	20 x 18 (510 x 455)	31 (785)	29 3/8 (748)	16 1/4 (415)	4 1/2 (115)	2 1/2 (64)	4 (100)	13 1/2 (345)	16 (405)	2 1/2 (64)

NOTE: The rough-in dimensions listed on this drawing are based on current information available to Jay R. Smith by the fixture manufacturers. We recommend that you verify these dimensions with the fixture manufacturer. We will not accept responsibility for rough-in dimension changes by the fixture manufacturer.

NOTE: Dimensions shown in parenthesis are in millimeters.

DRAWING NUMBER **S0720**
 SIZE **A**
 SCALE: **NONE**
 DATE: **12-12-74**
 APPROVED BY:
 CHECKED BY:
 DRAWN BY: **RAS**
 FIGURE NUMBER **0720**
 DIMENSIONS ARE SUBJECT TO MANUFACTURERS TOLERANCE AND CHANGE WITHOUT NOTICE

H	03/06/02	Revised Roughing-in Table	JJ	CL	WEIGHT	VOLUME	FIGURE NUMBER
G	4-10-95	Chg'd Dim, added Millimeters	EMB	BS	POUNDS	CUBIC FEET	0720
F	9-22-94	Submittal Update	BS	BS			
REV.	DATE	DESCRIPTION	BY	CKD. BY			

LAVATORY SUPPORTS WITH CONCEALED ARMS

WALL MOUNTED

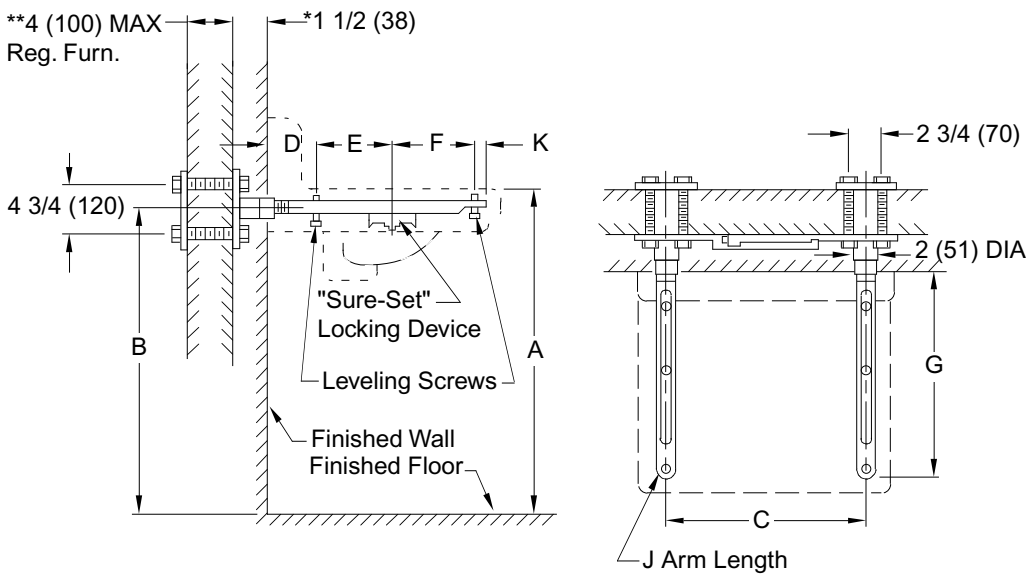


Fig. 0720 . . . FOR HIGH BACK LAVATORIES SET ON MASONRY OR STUD WALL

*This dimension can be increased when required (specify thickness).
 **For greater wall thickness, longer supporting studs can be furnished (specify wall thickness).

ROUGHING-IN TABLE

FIXTURE NAME		NUMBER		SIZE				
A	B	C	D	E	F	G	J	K

NOTE: The rough-in dimensions listed on this drawing are based on current information available to Jay R. Smith by the fixture manufacturers. We recommend that you verify these dimensions with the fixture manufacturer. We will not accept responsibility for rough-in dimension changes by the fixture manufacturer.

NOTE: Dimensions shown in parenthesis are in millimeters.

DRAWING NUMBER: S0720 (B)
 SIZE: A
 SCALE: NONE
 DATE: 10-11-77
 APPROVED BY: [Signature]
 CHECKED BY: RP
 DRAWN BY: TS
 FIGURE NUMBER: 0720

WE CAN ASSUME NO RESPONSIBILITY FOR USE OF SUPERSEDED OR VOID DATA

D	4-10-95	Chg'd Dim, Added Millimeters	EMB	BS	WEIGHT POUNDS	VOLUME CUBIC FEET	FIGURE NUMBER
C	6-22-94	Revised	EMB	BS			0720
B	8-9-93	Submittal Update	EMB	BS			
REV.	DATE	DESCRIPTION	BY	CKD. BY			