

D DRAWING NUMBER **S0700D (-M31) (B)**

A SIZE **NONE**

SCALE: NONE

DATE: 1-30-70

APPROVED BY:

CHECKED BY: AB

DRAWN BY: RLK

FIGURE NUMBER 0700D (-M31)

LAVATORY SUPPORTS WITH CONCEALED ARMS

FLOOR MOUNTED WITH RECTANGULAR 1(25) X 3(76) "PRO-SET" UPRIGHTS

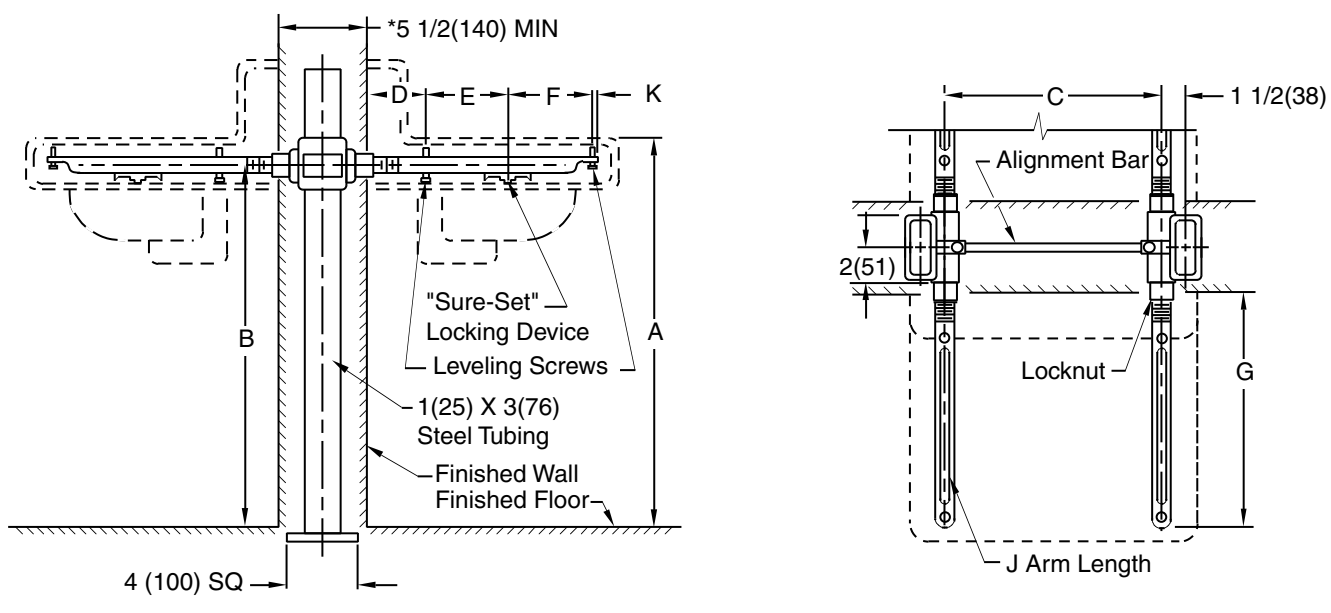
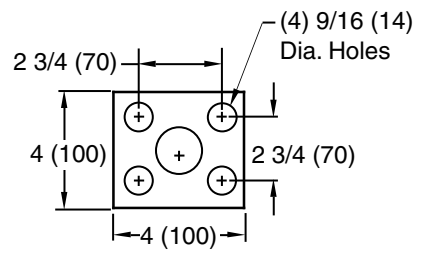


Fig. 0700D (-M31) ... FOR BACK-TO-BACK SUPPORT

NOTE: The rough-in dimensions listed on this drawing are based on current information available to Jay R. Smith by the fixture manufacturers. We recommend that you verify these dimensions with the fixture manufacturer. We will not accept responsibility for rough-in dimension changes by the fixture manufacturer.



BASE DETAIL

ROUGHING-IN TABLE

FIXTURE NAME				NUMBER			SIZE	
A	B	C	D	E	F	G	J	K

*This dimension includes wall thickness of 1/2"(13). For greater wall thickness, specify centerline of upright to finished wall dimension.

D	09/27/10	Updated Drawing	JJ	CL	WEIGHT	VOLUME	FIGURE NUMBER
C	8-5-93	Submittal Update	EMB	BS	POUNDS	CUBIC FEET	0700D (-M31)
REV.	DATE	DESCRIPTION	BY	CKD. BY			

WE CAN ASSUME NO RESPONSIBILITY FOR USE OF SUPERSEDED OR VOID DATA

DIMENSIONS ARE SUBJECT TO MANUFACTURERS TOLERANCE AND CHANGE WITHOUT NOTICE