

**SMITH® JAY R. SMITH MFG. CO.**  
 DIVISION OF SMITH INDUSTRIES, INC.  
 POST OFFICE BOX 3237  
 MONTGOMERY, ALABAMA 36109-0237 (USA)  
 TEL: 334-277-8520 • FAX: 334-272-7396 • www.JRSmith.com



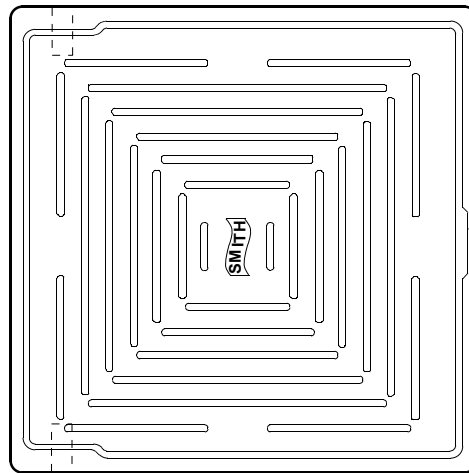
LOCATION

# ADJUSTABLE STRAINER HEAD WITH 6" (150) X 6" (150) SQUARE SOLID HINGED COVER

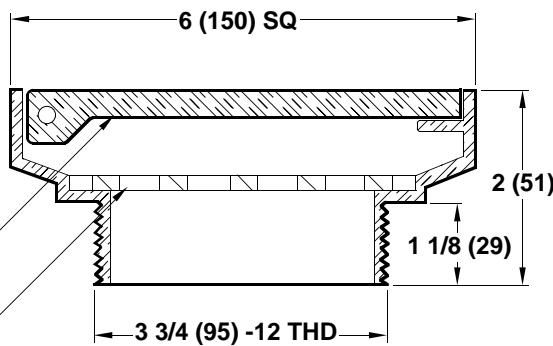
C  
 DRAWING NUMBER I-SUFFIX-102  
 SIZE A  
 SCALE: NONE  
 DATE: 2-2-89  
 APPROVED BY: TD  
 CHECKED BY: CR  
 DRAWN BY: EMB  
**BHQ**  
 FIGURE NUMBER

WE CAN ASSUME NO RESPONSIBILITY FOR USE OF SUPERSEDED OR VOID DATA

DIMENSIONS ARE SUBJECT TO MANUFACTURERS TOLERANCE AND CHANGE WITHOUT NOTICE



Cover Lifting Slot



Solid Hinged Scoriated Cover

Cast Bronze Secondary Strainer

NOTE: Dimensions shown in parentheses are in millimeters.

**REGULARLY FURNISHED:**  
 Nickel Bronze Strainer with Solid Hinged Scoriated Cover and Secured Secondary Strainer.

**VARIATIONS:**  
 Flapper Type BWV -V  
 Secured Cover and Gasket  
 T Threaded Outlet

**OPTIONAL MATERIALS:**  
 Chrome Plated -CP  
 Polished Bronze -PB

REV.	DATE	DESCRIPTION	BY	CKD. BY	WEIGHT POUNDS	VOLUME CUBIC FEET	FIGURE NUMBER
C	10-31-97	Chg'd Var	EMB	BS			<b>BHQ</b>
B	11-12-93	Redrawn, Changed Var.	TWK	GWC			
A	9-16-93	Redrawn, Changed Cover	TWK	AWS			