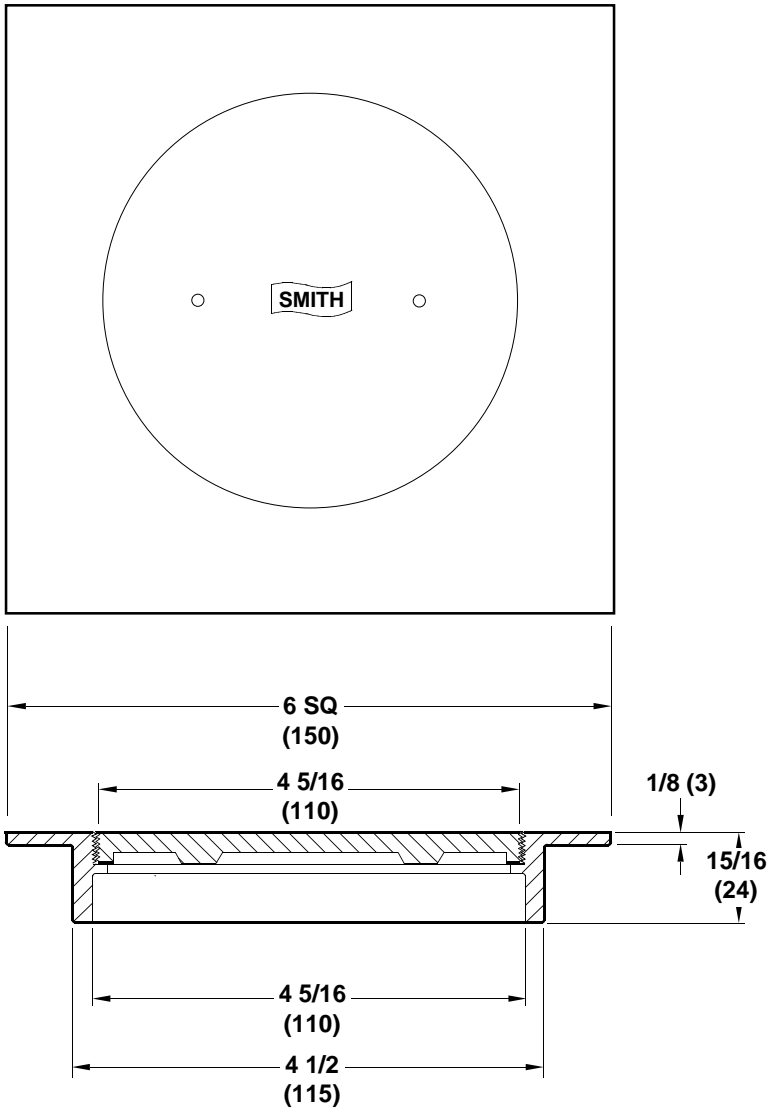


# SQUARE CLEANOUT



**REGULARLY FURNISHED:**  
 Nickel Bronze High Polished Finish  
 with Threaded Cover and Gasket.

**OPTIONAL:**  
 8" Square (205 x 205)

NOTE: Dimensions shown in parenthesis are millimeters

DRAWING NUMBER I-SQ-147  
 SIZE A  
 SCALE: NONE  
 DATE: 6-7-93  
 APPROVED BY: GWC  
 CHECKED BY: GWC  
 DRAWN BY: TWK  
**SQ-4-4120-B**  
 DIMENSIONS ARE SUBJECT TO MANUFACTURERS TOLERANCE AND CHANGE WITHOUT NOTICE

REV.	DATE	DESCRIPTION	BY	CKD. BY	WEIGHT POUNDS	VOLUME CUBIC FEET	FIGURE NUMBER
							<b>SQ-4-4120-B</b>