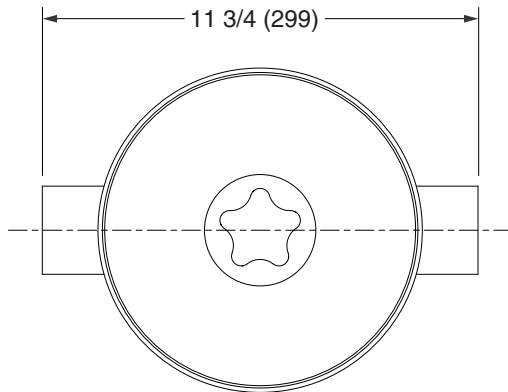
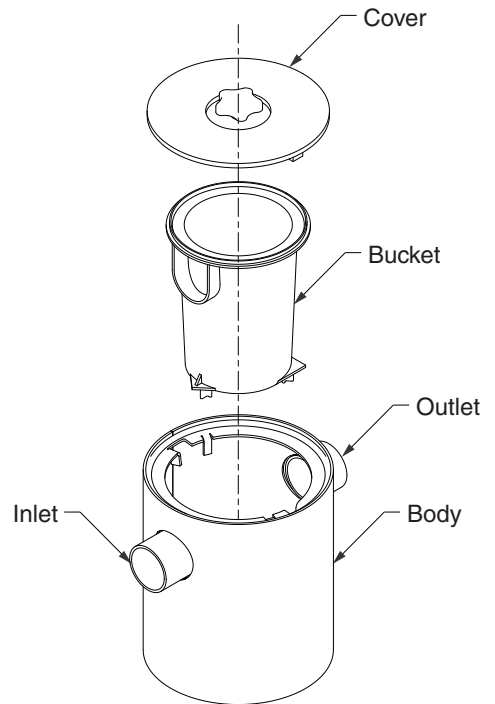
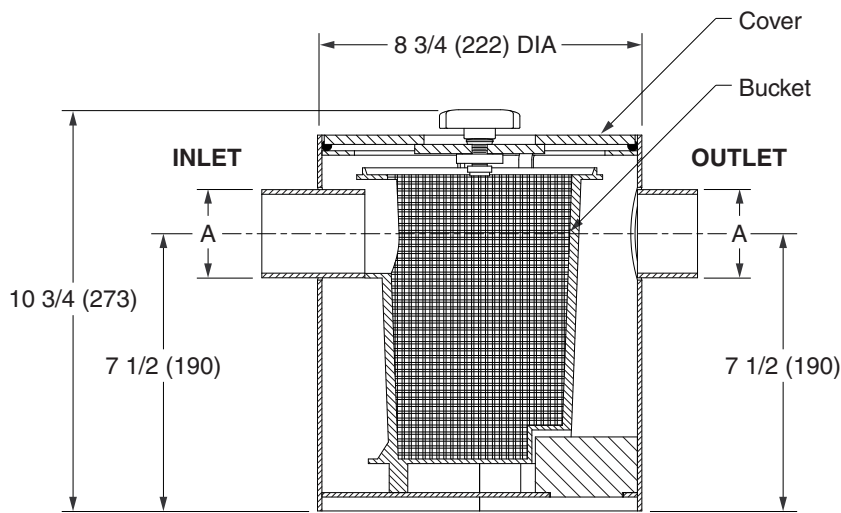


# RETROFIT INLINE SOLIDS INTERCEPTOR

**FUNCTION:** Provides a means of collecting food solids before entering the drain line going to a grease interceptor.



**NOTE:** Allow 9 (230) of clearance above interceptor for bucket removal.



A (Pipe Size) = 02 (50)

Fig. 8981Y02.....NO HUB Connections

**REGULARLY FURNISHED:**  
 Fabricated Steel Body with  
 Screw Latch Cover and  
 Perforated Plastic Bucket.

**OPTIONAL MATERIALS:**  
 Stainless Steel Body -SS

**NOTE:** Must be installed in an easily accessed area. This solids interceptor is for above floor (non-recessed) installations only.

**NOTE:** Dimensions shown in Parentheses are in millimeters.

DRAWING NUMBER  
8981

SIZE  
A

SCALE:  
NONE

DATE:  
03/25/09

APPROVED BY:  
CR

CHECKED BY:  
CL

DRAWN BY:  
JJ

8981

WE CAN ASSUME NO RESPONSIBILITY FOR USE OF SUPERSEDED OR VOID DATA

DIMENSIONS ARE SUBJECT TO MANUFACTURERS TOLERANCE AND CHANGE WITHOUT NOTICE

REV.	DATE	DESCRIPTION	BY	CKD. BY

WEIGHT POUNDS	VOLUME CUBIC FEET

<b>FIGURE NUMBER</b>
<b>8981</b>