

H



JAY R. SMITH MFG. CO.
 DIVISION OF SMITH INDUSTRIES, INC.
 POST OFFICE BOX 3237
 MONTGOMERY, ALABAMA 36109-0237 (USA)
 TEL: 334-277-8520 FAX: 334-272-7396 www.jrsmith.com



MEMBER OF:



LOCATION

SAND INTERCEPTOR

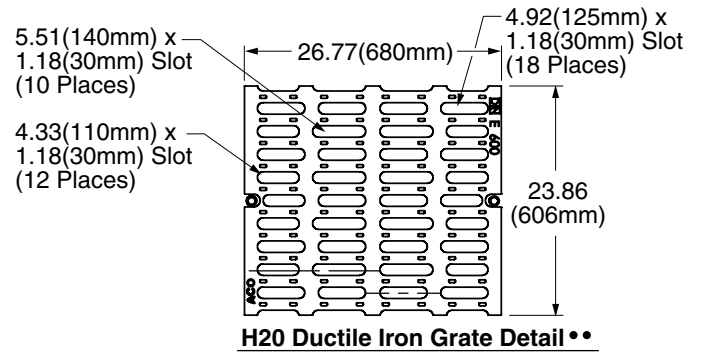
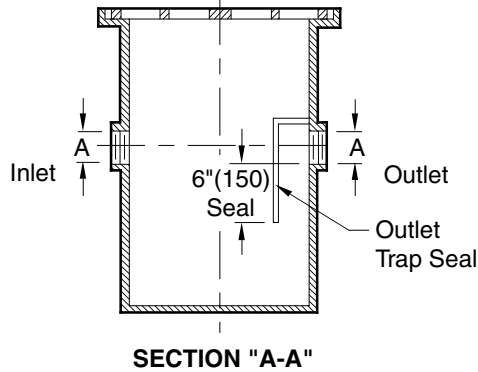
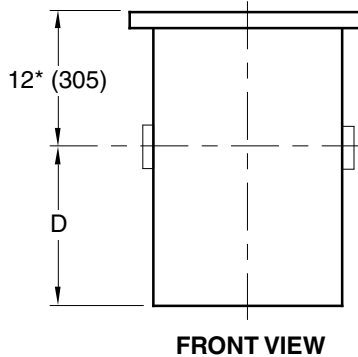
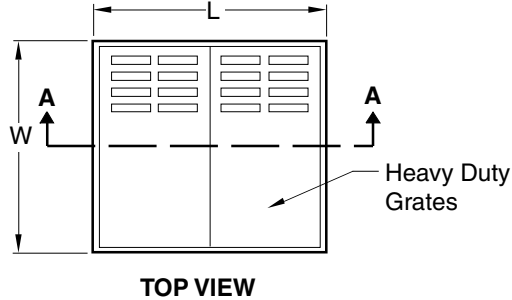


Fig. No.	Flow G.P.M. (Max)	A (Pipe Size)	L	W	D	Capacity (Static) Gals	No. of 12 x 24 Grates
8811-20	20	04 (100)	24 (610)	24 (610)	26 (660)	60	2
8811-50	50	04 (100)	48 (1220)	24 (610)	26 (660)	120	4
8811-150	150	04 (100)	48 (1220)	48 (1220)	38 (965)	360	8
8811-250	250	06 (150)	72 (1830)	48 (1220)	39 (990)	540	12
8811-500	500	06 (150)	120 (3048)	48 (1220)	51 (1295)	1200	20

REGULARLY FURNISHED:

Fabricated Steel Catch Basin, Gray Duco Coated Inside and Outside, Threaded Inlet and Outlet (with Outlet Trap Seal).

*12"(305) Regularly furnished - Specify dimension if lower is required. For higher dimension, specify extension (-E) as required.

VARIATIONS:

- *Extension -E (Specify Height eg: -E24 for 24"(610) Ext. (Ext. Height shall be measured from top of body)
- NO-HUB Adaptor (2) Req'd (Specify Fig. 2646Y)
- Solid Heavy Duty Diamond Plate Cover -SHD
- Vandal Proof Screws -U
- Secured Grate

OPTIONAL MATERIALS:

- Ductile Iron Grates -M (8811 Series)
- Ductile Iron Slotted Grate (Load Class H20)

••NOTE: It is the responsibility of the installer to check all parts (internal and external) to verify they are in their proper operating order and location.

NOTE: When specifying H20 Ductile Iron Slotted Grate, the length and width dimensions may vary when using this Grate.

NOTE: Dimensions shown in parentheses are in millimeters.

DRAWING NUMBER

S8811

SIZE

A

SCALE:

NONE

DATE:

7-9-87

APPROVED BY:

CR

CHECKED BY:

BS

DRAWN BY:

WAS

8811

FIGURE NUMBER

H
G04/01/09
2-7-05Revised Text
Revised Var, Note & Opt. Mat.JJ
RNCL
AMWEIGHT
POUNDSVOLUME
CUBIC FEET

FIGURE NUMBER

8811

REV.

DATE

DESCRIPTION

BY

CKD. BY

WE CAN ASSUME NO RESPONSIBILITY FOR USE OF SUPERSEDED OR VOID DATA

DIMENSIONS ARE SUBJECT TO MANUFACTURERS TOLERANCE AND CHANGE WITHOUT NOTICE