

OIL INTERCEPTORS

FUNCTION: Used in service stations, parking garages, and industrial plants where discharged water contains oil and sediment. Interceptor collects oil and conveniently permits the collected oil to be drained to a storage tank by means of an adjustable gravity draw-off connection. Sediment and chips are collected in sediment bucket and should be periodically removed. Interceptors should not be located directly in traffic areas. If required, specify extra heavy duty traffic cover.

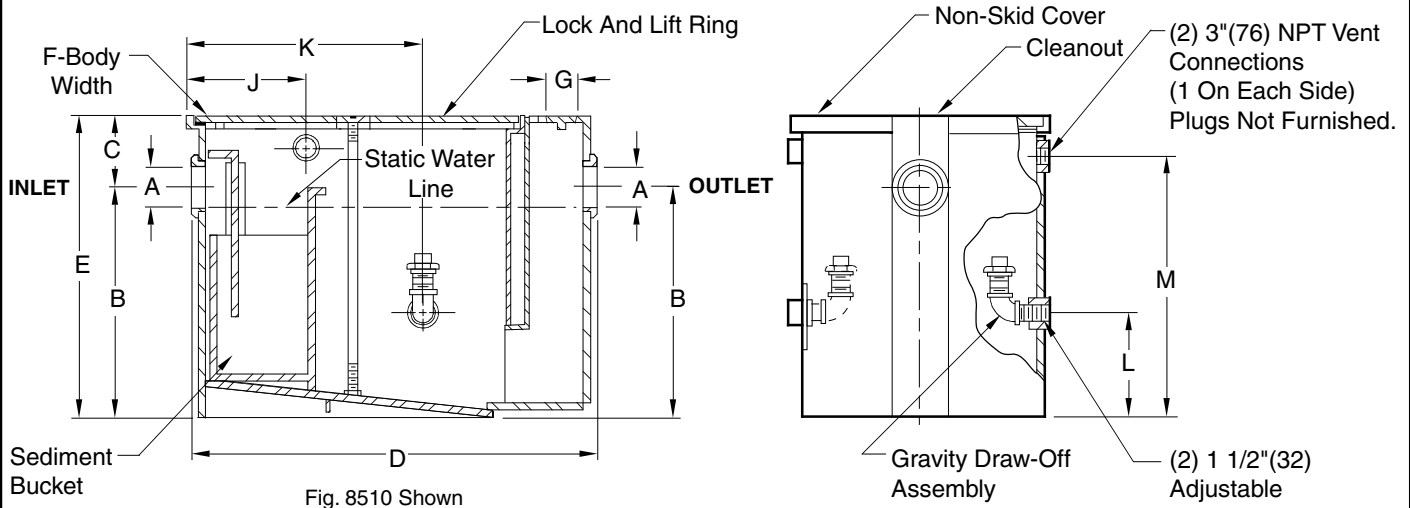


Fig. 8510 Shown

NOTE: Interceptor shall be vented on outlet side per local code requirements.

NOTE: It is the responsibility of the installer to check all parts (internal and external) to verify they are in their proper operating order and location.

NOTE: 2" (51) must be added to dimension D and F when extension is specified for clearance of extension clamps.

PCN/ Fig. No.	GPM Flow Rate	Inlet and Outlet Size	Dimensions								C.O. Plug Size	Dimensions			
			Roughing Dimensions				Body		G	J		K	L	M	
			A*	B	C	D	Height	Width							
8510	10	02(50)	9 1/2(240)	3 3/4(95)	21 1/4(540)	13 1/4(335)	11 1/2(290)	2(51)	9 1/2(240)	12(305)	4(100)	9 3/4(250)			
8515	15	02(50)	12(305)	3 1/2(89)	25(635)	15 1/2(395)	13 1/2(345)	2(51)	10 1/4(260)	14 1/4(360)	5 3/4(145)	12(305)			
8520	20	03(75)	13(330)	4(100)	28 1/2(725)	17(430)	15 3/4(400)	2(51)	12(305)	16 1/2(420)	4 1/2(115)	13 1/2(345)			
8525	25	03(75)	15 1/4(390)	4 1/2(115)	30(760)	19 3/4(500)	16 3/4(425)	2(51)	12 3/4(325)	18 3/4(475)	6 1/4(160)	16 1/4(415)			
8535	35	03(75)	16(405)	5(125)	32 1/2(825)	21(535)	18 1/4(465)	2(51)	14 1/2(370)	21 1/4(540)	7(180)	17 1/2(445)			
8550	50	03(75)	17 1/2(445)	6 3/4(170)	35 1/2(825)	24 1/4(615)	20 3/4(525)	2(51)	16(405)	22(560)	7 1/2(190)	20 3/4(525)			

*Available with larger inlet and outlet when specified.

REGULARLY FURNISHED:

Steel Interceptor with Gray Duco Coating Inside and Outside and Flow Control Fitting.

2" (51) min. extension available. Anchor flange & flashing clamp not available on less than 4" (100) extension.

VARIATIONS:

- Anchor Flange -F (Flange available with extension only)
- Traffic Rated Cover-H20
- Flashing Flange and Clamp -F-C
- NO-HUB Adaptor (4) Req'd (Specify Fig. 2646Y)
- Steel Extension -E (Specify Height eg: -E12 For 12"(305) Ext)

OPTIONAL MATERIALS:

- Acid Resistant Coating Inside - ARI
- Acid Resistant Coating Outside - ARO
- Acid Resistant Coating Inside and Outside - ARIO
- Aluminum Cover -AC

NOTE: Dimensions shown in parentheses are in millimeters.

DRAWING NUMBER: S8510
 SIZE: A
 SCALE: NONE
 DATE: 12-11-84
 APPROVED BY: KG
 CHECKED BY: VGD
 DRAWN BY: PJ
 FIGURE NUMBER: 8510
 DIMENSIONS ARE SUBJECT TO MANUFACTURERS TOLERANCE AND CHANGE WITHOUT NOTICE

J	5-5-06	Revised Drawing & Note Revised Variations Added M Column to Table Changed Table	RN	CL	WEIGHT POUNDS	VOLUME CUBIC FEET	FIGURE NUMBER 8510
H	2-3-05		RN	CL			
G	12/03/03		JJ	CL			
F	4/2/01		RN	CL			
REV.	DATE	DESCRIPTION	BY	CKD. BY			