

NON-FREEZE POST HYDRANT

COMPRESSION-TYPE POST HYDRANTS WITH 3/4" (19) OR 1" (25) CONNECTIONS

- Fig. 5965.....3/4"(19) } Inlet and Hose
- Fig. 5966.....1"(25) } Connection

STANDARD FEATURES

Fig. 5965 or 5966 delivers year-round service outside or in unheated buildings. To provide freeze resistant functionality, the control valve is located below the frost line. The spring-loaded handle raises or lowers the internal supply line assembly, controlling the valve. The internal supply column is evacuated through drainage ports in the bottom. The hydrant must be operated fully "on".

SUGGESTED SPECIFICATIONS

Hydrant shall be Jay R. Smith Fig. 5965 or 5966. Unit shall be capable of year-round use in freezing weather.

Unit shall extend below grade level so that centerline of supply inlet is positioned at or below frost line. Inlet shall have union connection.

Water shall be gravity-evacuated from inner supply column when valve is shut off.

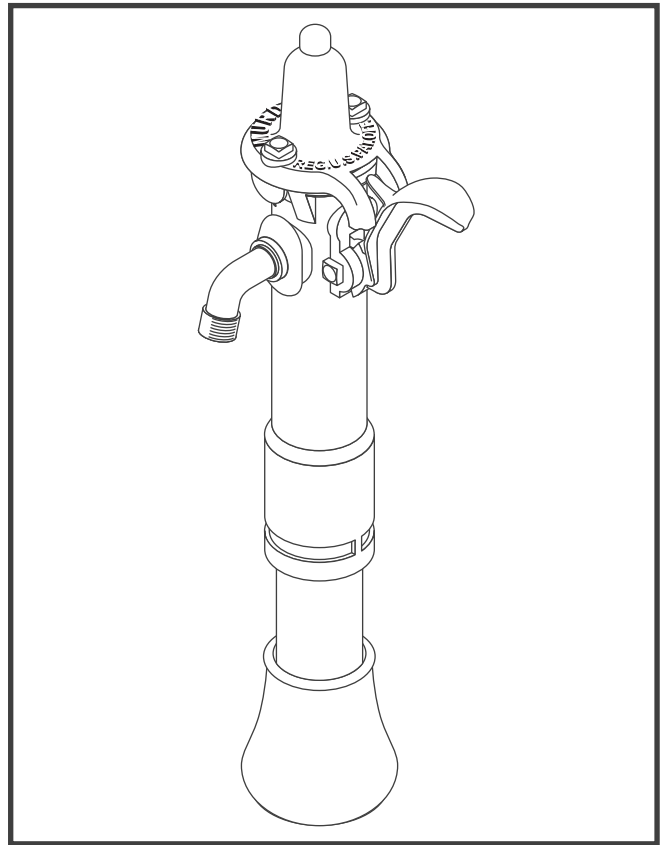
Valve shall be operated by lever handle spring-loaded for closure. Stock, top and base shall be fabricated of heavy, one-piece iron castings finished with a heavy grade of oil-based green enamel. Handle shall be an aluminum-bronze casting.

Inner supply assembly shall incorporate solid-brass castings. All solid-brass castings shall conform to ASTM standards B61 and B62. Lead-free castings are used in all waterways.

Outer casing shall be galvanized steel pipe, finished with a heavy grade of oil-based green enamel.

Nozzle shall be solid brass casting, threaded for 3/4"(19) or 1"(25) hose connection.

NOTE: Dimensions shown in Parentheses are in millimeters.



DEPTH OF BURY (additional costs may be incurred)

- 2 feet (610)
- 5 feet (1525)
- 3 feet (915)
- 6 feet (1830)
- 4 feet (1220)
- Other _____

VARIATIONS (additional costs may be incurred)

- BFH Double ball check valve and vacuum breaker *
- VB Vacuum breaker
- R01 Shut off valve with plate *
- Plain end spout
- Sewer drain connection

* See separate option sheets

DRAWING NUMBER: 5965, 5966
 SIZE: A
 SCALE: NONE
 DATE: 12/03/10
 APPROVED BY: CL
 CHECKED BY: CL
 DRAWN BY: JJ
5965, 5966
 DIMENSIONS ARE SUBJECT TO MANUFACTURERS TOLERANCE AND CHANGE WITHOUT NOTICE
 WE CAN ASSUME NO RESPONSIBILITY FOR USE OF SUPERSEDED OR VOID DATA

REV.	DATE	DESCRIPTION	BY	CKD. BY	WEIGHT POUNDS	VOLUME CUBIC FEET	FIGURE NUMBER
C B A	6-13-11 5-31-11 5-24-11	Revised Note Revised Text and Drawing Added Note	TBW TBW TBW	CL CL CL			5965, 5966



JAY R. SMITH MFG. CO.
 MEMBER OF ACORN'S FAMILY OF COMPANIES
 POST OFFICE BOX 3237
 MONTGOMERY, ALABAMA 36109-0237 (USA)
 TEL: 334-277-8520 FAX: 334-272-7396 www.jrsmith.com



MEMBER OF:

LOCATION

DRAWING NUMBER
5965, 5966BS

SIZE
A

SCALE:
NONE

DATE:
12/03/10

APPROVED BY:
CL

CHECKED BY:
CL

DRAWN BY:
JJ

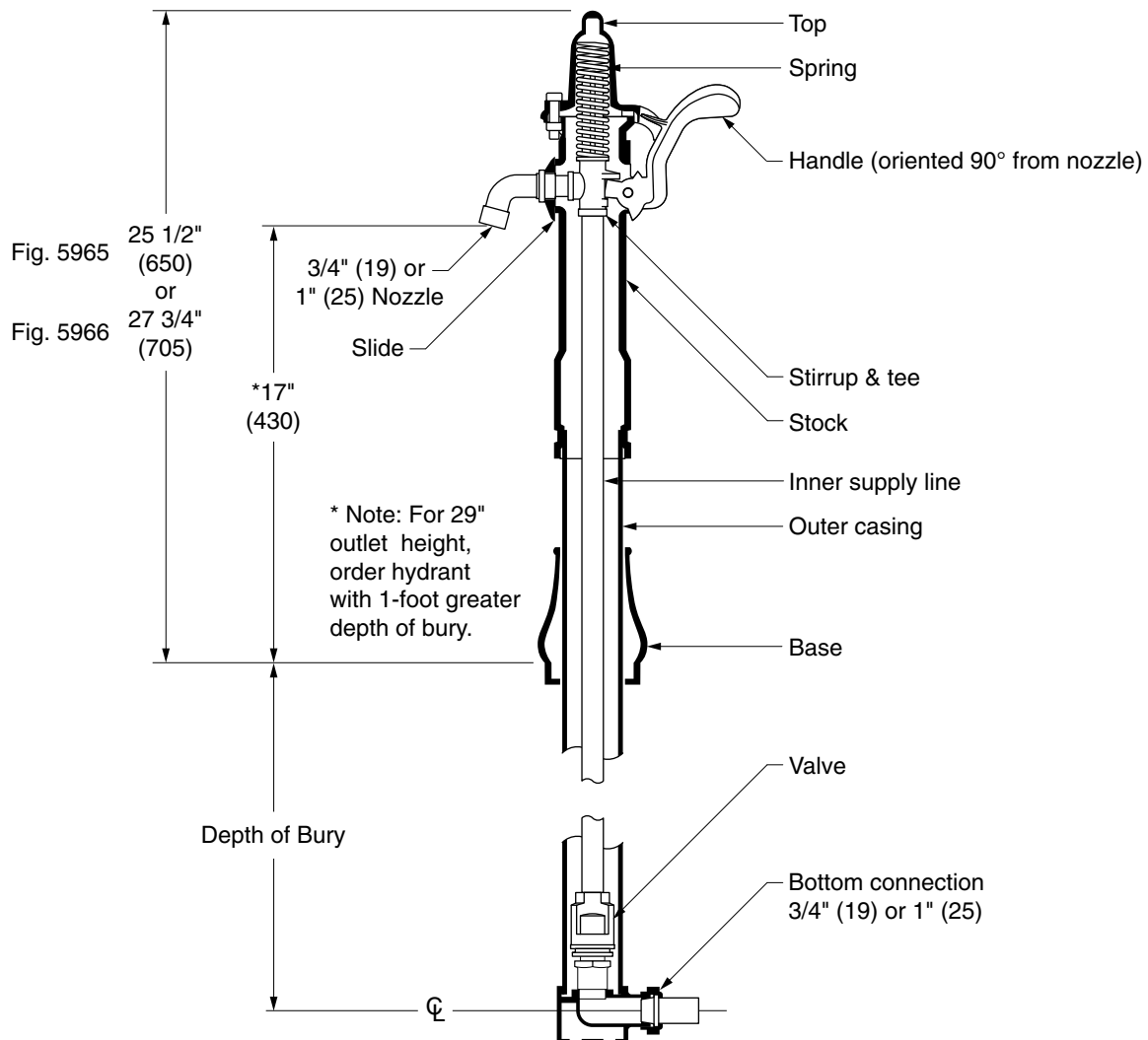
FIGURE NUMBER
5965, 5966BS

WE CAN ASSUME NO RESPONSIBILITY FOR USE OF SUPERSEDED OR VOID DATA

NON-FREEZE POST HYDRANT

COMPRESSION-TYPE POST HYDRANTS WITH 3/4" (19) OR 1" (25) CONNECTIONS

Fig. 5965.....3/4"(19) } Inlet and Hose
 Fig. 5966.....1"(25) } Connection



NOTE: Dimensions shown in Parentheses are in millimeters.

REV.	DATE	DESCRIPTION	BY	CKD. BY
A	5-31-11	Revised Text	TBW	CL

WEIGHT POUNDS	VOLUME CUBIC FEET	FIGURE NUMBER
		5965, 5966BS