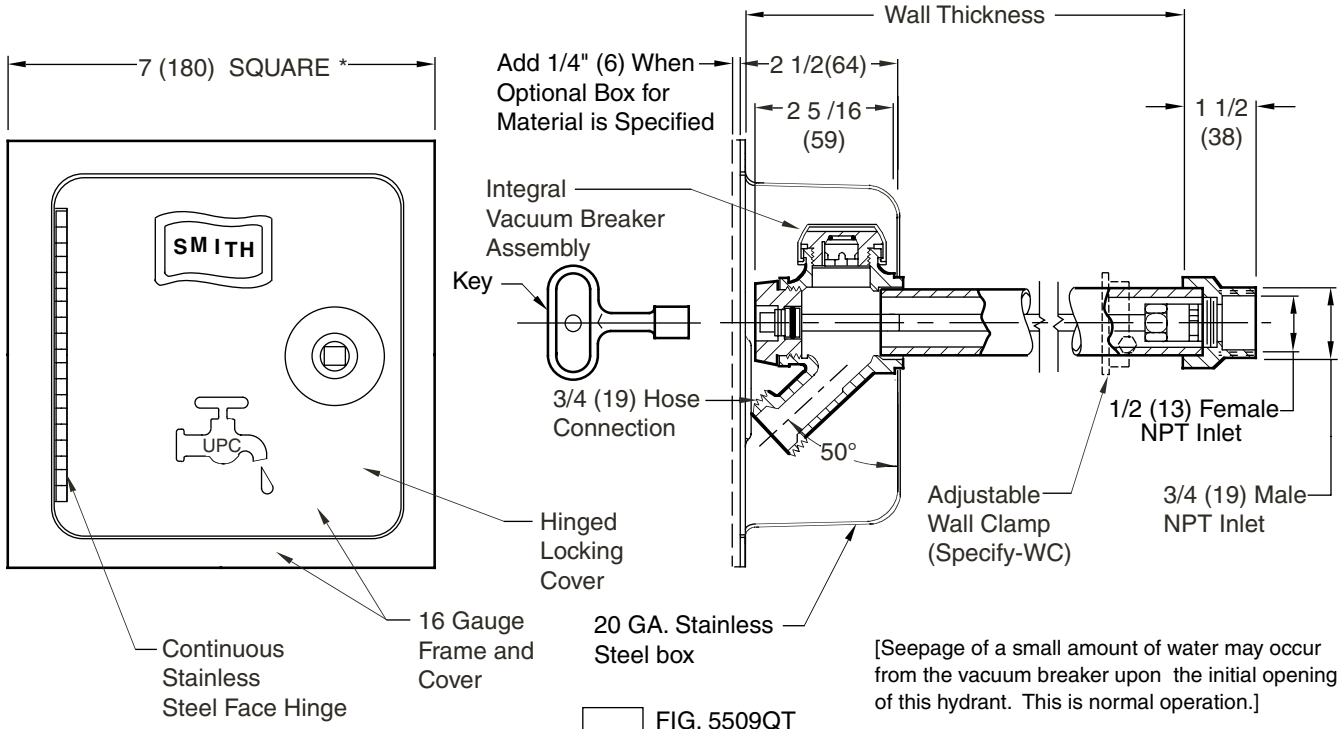


QUARTERHORSE 1/4 TURN NON-FREEZE WALL HYDRANT WITH INTEGRAL VACUUM BREAKER AND STAINLESS STEEL BOX

BOX TYPE WITH CONCEALED HOSE CONNECTION

FUNCTION: Provides positive non-freeze protection where water is required at the outside of the building and features an integral vacuum breaker. The stainless steel recessed box conceals the nozzle and operating mechanism. The locking cover prevents unauthorized use.

1/4 Turn of the Key Allows Full Flow to Be Obtained



[Seepage of a small amount of water may occur from the vacuum breaker upon the initial opening of this hydrant. This is normal operation.]

FIG. 5509QT

REGULARLY FURNISHED:

Bronze Nickel Plated Quarter Turn Self Draining Non-Freeze Hydrant with Hose Connection, Integral Vacuum Breaker, "T" Handle Key, and Stainless Steel Box with Full 180° Cover Opening.

VARIATIONS:

- Adjustable Wall Clamp -WC
- Cylinder Lock -CL
- 1" (25) Hose Connection -HC1
- 1" (25) Male NPT Inlet Connection -IC1
- "Water" On Cover -W

OPTIONAL MATERIALS:

- Nickel Bronze Box Face -NB
- Polished Bronze Box Face -PB
- Rough Bronze Box Face -RB
- Chrome Plated Face -CP

** Add 3/4" (19) to Overall Length When Specified

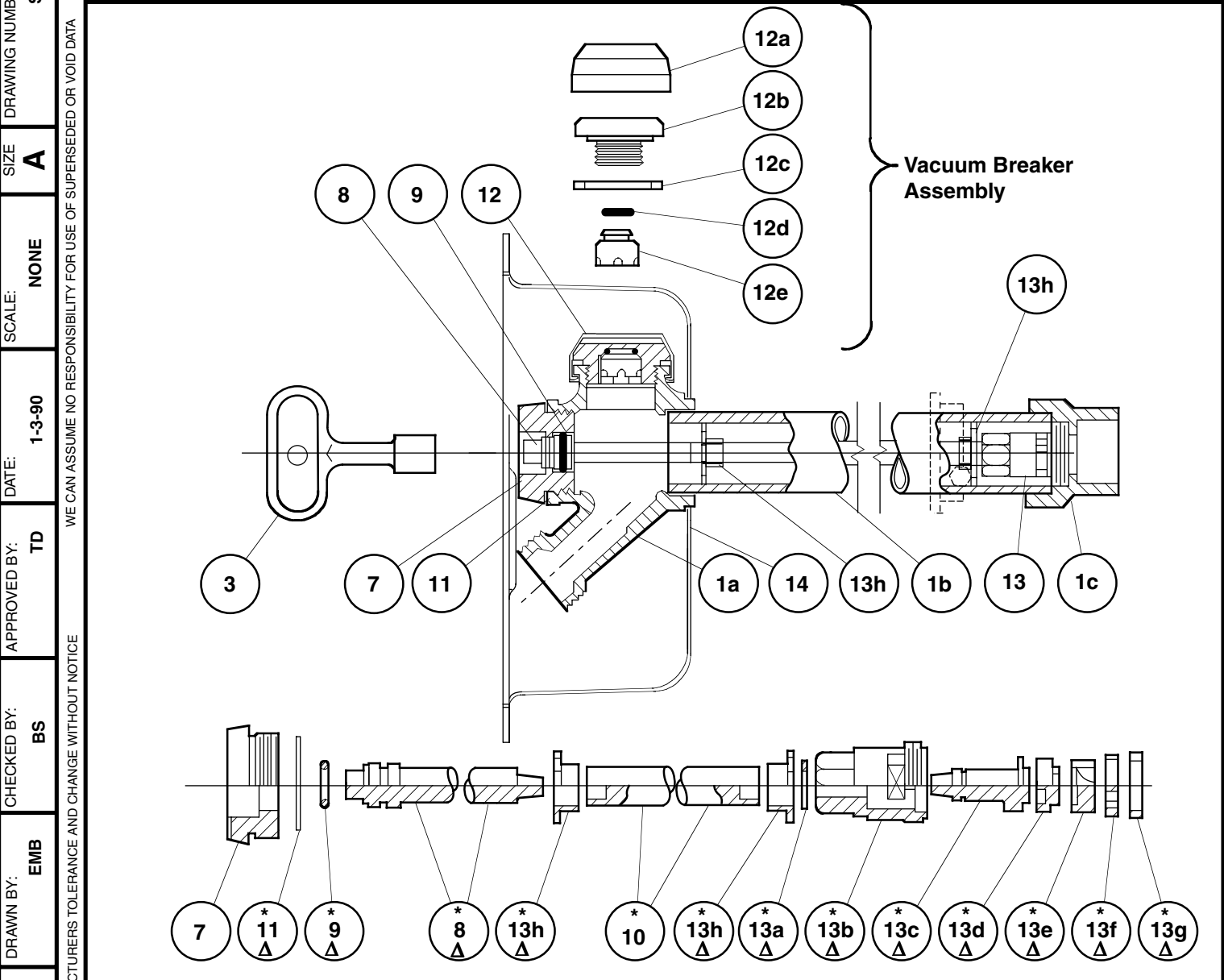
- NOTES:**
- *Recommended wall opening 6" (150) x 6" (150). Hydrant shall be in the vertical position only, the connection must be on the bottom.
 - When ordering, specify wall thickness in 2" (51) increments as follows: 06(150), 08(205), 10(255), 12(305), 14(355), 16(405), 18(455), 20(510), 22(560) or 24(610). When wall clamp -WC is desired, increase wall thickness dimension by 2" (51).
 - All Jay R. Smith hydrants are manufactured with "NO-LEAD" brazing rings, and USDA approved lubricants.
 - When an Optional Box Face Material is Specified a Concealed Hinge will be Provided, also Add 1/4" (6) to Flange Thickness.
 - The AB1953, California Lead Law, and NSF/ANSI Standard 61-2008 - Drinking Water System Components are not applicable to Jay R. Smith hydrants as they do not convey/dispense water for human consumption through drinking or cooking.
 - Dimensions shown in parentheses are in millimeters.

PATENTED

DRAWING NUMBER: 55509QT
 SIZE: A
 SCALE: NONE
 DATE: 5/23/90
 APPROVED BY: T.D.
 CHECKED BY: J.McD.
 DRAWN BY: JLO
5509QT
 DIMENSIONS ARE SUBJECT TO MANUFACTURERS TOLERANCE AND CHANGE WITHOUT NOTICE
 WE CAN ASSUME NO RESPONSIBILITY FOR USE OF SUPERSEDED OR VOID DATA

R P N M	6-13-11 5-17-11 5-4-10 10-7-09	Revised Note Added Note Rev. Reg. Furn. Revised Notes	TBW TBW TBW RN	CL CL TWK CL	WEIGHT POUNDS	VOLUME CUBIC FEET	FIGURE NUMBER 5509QT
REV.	DATE	DESCRIPTION	BY	CKD. BY			

HYDRANT PARTS LIST



DRAWING NUMBER: S5509QTBS
 SIZE: A
 SCALE: NONE
 DATE: 1-3-90
 APPROVED BY: TD
 CHECKED BY: BS
 DRAWN BY: EMB
 FIGURE NUMBER: 5509QT-BS
 DIMENSIONS ARE SUBJECT TO MANUFACTURERS TOLERANCE AND CHANGE WITHOUT NOTICE
 WE CAN ASSUME NO RESPONSIBILITY FOR USE OF SUPERSEDED OR VOID DATA

Δ These Replacement Parts Available in HPRK-7

* All Parts Accessible from Face of Hydrant by Removing Face Nut.

HYDRANT PARTS LIST					
NO.	DESCRIPTION	NO.	DESCRIPTION	NO.	DESCRIPTION
1	Head/Casing Assembly	10	Operator Rod	13a	Retaining Ring
1a	Head	11	Face Nut Washer	13b	Valve Body
1b	Casing	12	Vacuum Breaker Assembly	13c	Valve Actuator
1c	Valve Housing	12a	VB Cap	13d	Nylon Thrust Washer
3	Key	12b	VB Body	13e	Rotating Ceramic Disc
7	Face Nut	12c	VB Washer	13f	Fixed Ceramic Disc
8	Actuator Shaft	12d	VB "O" Ring	13g	Silicon Rubber Seal
9	Actuator "O" Ring	12e	VB Piston	13h	Retainer Guide (2)
		13	Valve Body Assembly	14	Box Assembly S.S.

F	5-21-92	Changed Repair Pts. Update Figure Number Rev Dwg Added HPRK-7VB Note	TWK	JCS	WEIGHT POUNDS	VOLUME CUBIC FEET	FIGURE NUMBER 5509QT
E	10-25-91		TWK	JCS			
D	12-90		EMB	JCS			
C	12-21-90		CMB	JCS			
REV.	DATE	DESCRIPTION	BY	CKD. BY			