



**JAY R. SMITH MFG. CO.®**  
 DIVISION OF SMITH INDUSTRIES, INC.  
 POST OFFICE BOX 3237  
 MONTGOMERY, ALABAMA 36109-0237 (USA)  
 TEL: 334-277-8520 FAX: 334-272-7396 www.jrsmith.com



LOCATION

# SHOWER DRAIN WITH FormIt® DRAIN INSTALLATION DEVICE

**FUNCTION:** The Jay R. Smith Mfg. Co.® FormIt® Drain Installation Device is designed to stabilize the drain and provide adjustment during the installation process and allows final connection of outlet piping to drain after the concrete pour.

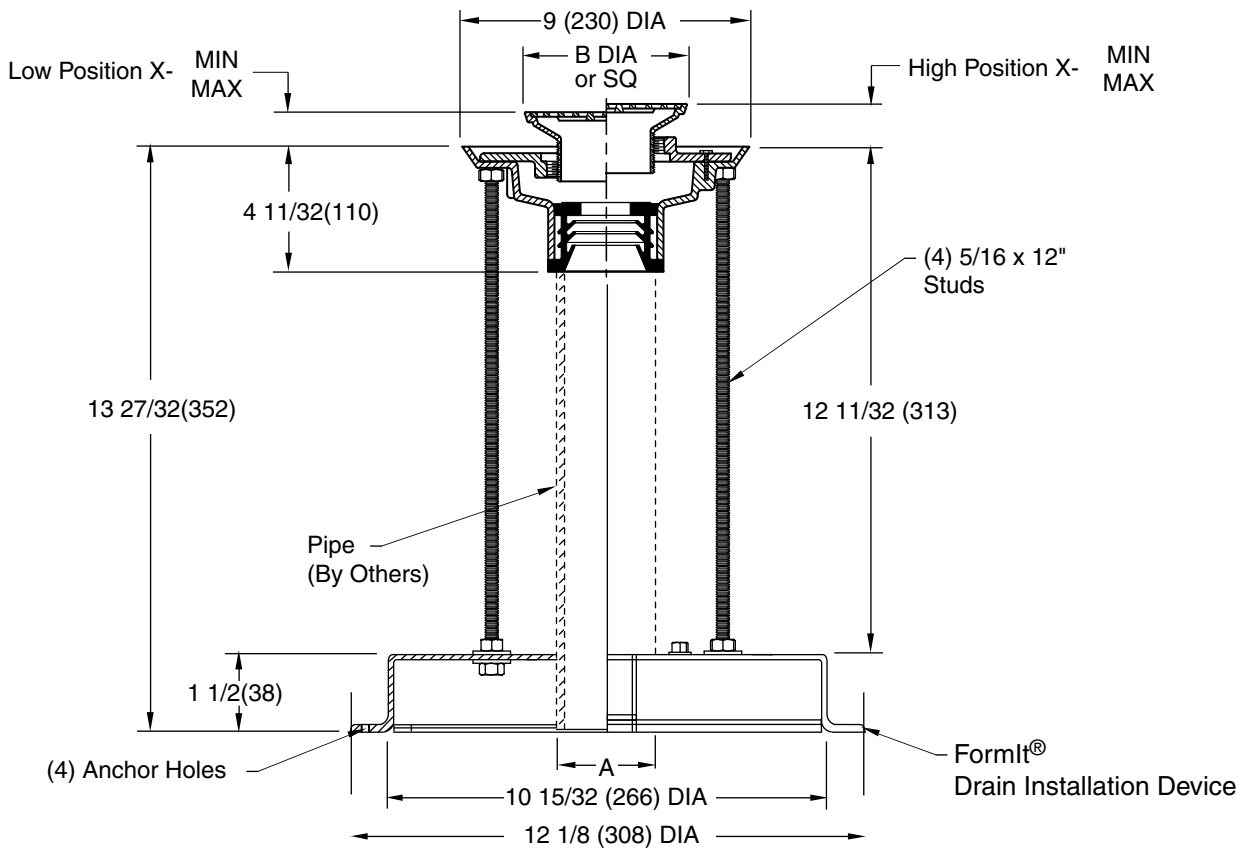


Fig. 2038L.....(A) Round Top  
 Fig. 2038L.....(B) Square Top

Outlet Size	Nickel Bronze Strainer Head
▲ 02(50)	05(125) DIA or SQ
▲ 03(75)	06(150) DIA or SQ
▲ 04(100)	08(205) DIA or SQ

Strainer Size B DIA or SQ	*Collar In High Position X		*Collar In Low Position XX		Free Area SQ IN (SQ CM)	
	MIN	MAX	MIN	MAX	ROUND	SQUARE
05 (125)	1 1/4 (32)	2 1/4 (57)	3/4 (19)	1 5/8 (41)	7 (45)	6.5 (42)
06 (150)	1 1/4 (32)	2 1/4 (57)	3/4 (19)	1 5/8 (41)	9 (58)	12.5 (81)
07 (180)	1 1/4 (32)	2 1/4 (57)	7/8 (22)	1 7/8 (48)	14 (90)	11 (71)
08 (205)	1 1/2 (38)	2 1/2 (64)	1 (25)	1 7/8 (48)	17 (110)	14 (90)
•09 (230)	1 1/2 (38)	2 3/8 (60)	1 (25)	1 7/8 (48)	18 (116)	16 (103)
•10 (255)	1 1/2 (38)	2 3/8 (60)	1 (25)	1 7/8 (48)	23 (148)	16 (103)

**REGULARLY FURNISHED:**

Duco Cast Iron Body with Speedi-Set Outlet and Adjustable Strainer Head (as specified) with FormIt® Drain Installation Device and Hardware.

▲ Meets ANSI Spec A112.6.3-2001 02(50), 03(75) or 04(100) sizes only.

NOTE: Dimensions shown in parentheses are in millimeters.

**VARIATIONS:**

- Flapper Type Backwater Valve -V
- Hinged Grate -H
- Sediment Bucket -B
- Trap Primer Connection -P050
- Vandal Proof Screws -U
- T Threaded Outlet

**OPTIONAL MATERIALS:**

- Bronze Body -BB
- Chrome Plated Strainer -CP
- Galvanized Cast Iron Body -G
- Nickel Bronze Strainer -NB
- Polished Bronze Strainer -PB
- Stainless Steel Body and Strainer Head -SS

DRAWING NUMBER  
s2038

SIZE  
A

SCALE:  
NONE

DATE:  
8-27-08

APPROVED BY:  
BW

CHECKED BY:  
BW

DRAWN BY:  
RN

2038

DIMENSIONS ARE SUBJECT TO MANUFACTURERS TOLERANCE AND CHANGE WITHOUT NOTICE

REV.	DATE	DESCRIPTION	BY	CKD. BY
B	7-7-10	Revised™ to @	RN	BW
A	05/14/09	Added Function	JJ	BW

WEIGHT  
POUNDS

VOLUME  
CUBIC FEET

FIGURE NUMBER

**2038**