

A



JAY R. SMITH MFG. CO.
 DIVISION OF SMITH INDUSTRIES, INC.
 POST OFFICE BOX 3237
 MONTGOMERY, ALABAMA 36109-0237 (USA)
 TEL: 334-277-8520 FAX: 334-272-7396 www.jrsmith.com



LOCATION

DRAWING NUMBER
SM54-M58

SIZE
A

SCALE:
NONE

DATE:
7-22-97

APPROVED BY:
SB

CHECKED BY:
SLB

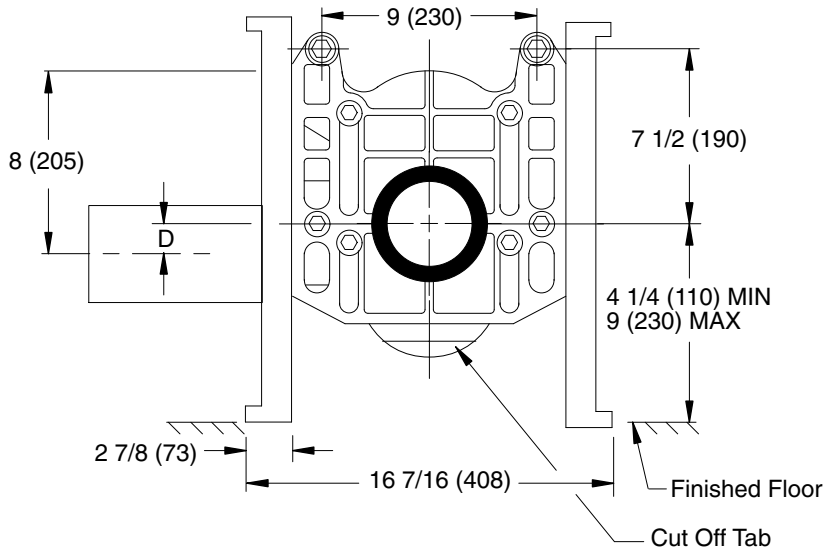
DRAWN BY:
EMB

M54-M58

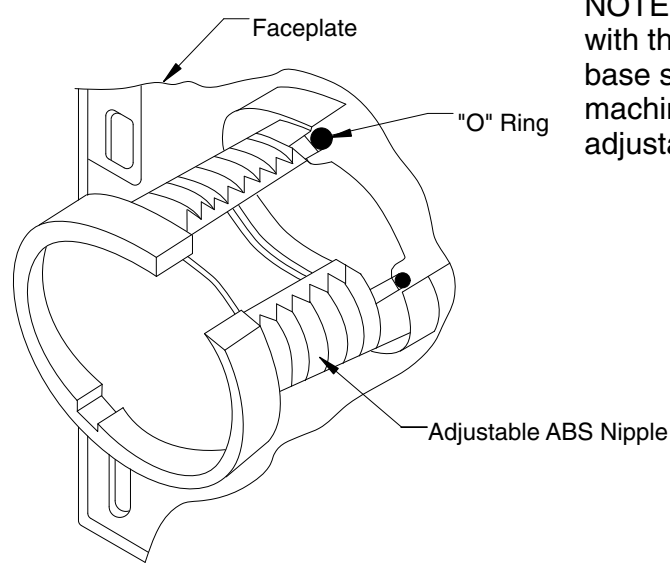
FIGURE NUMBER

WE CAN ASSUME NO RESPONSIBILITY FOR USE OF SUPERSEDED OR VOID DATA

FACEPLATE WITH ADJUSTABLE NIPPLE AND "O" RING



FRONT VIEW



NOTE: The M54-M58 suffix is furnished with the M54 faceplate and side mount base supports, with the faceplate machined for the "O" ring seal and the adjustable 10" ABS nipple

REV.	DATE	DESCRIPTION	BY	CKD. BY	WEIGHT POUNDS	VOLUME CUBIC FEET	FIGURE NUMBER
A	2-23-98	Chg'd Dwg	EMB	BS			M54-M58