



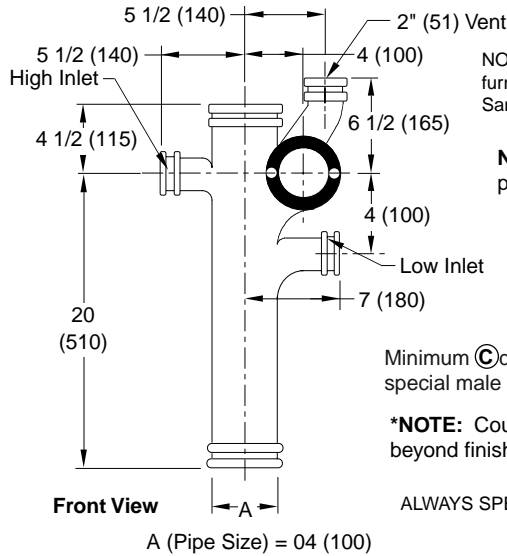
MEMBER OF:



LOCATION

# NO-HUB VERTICAL OFFSET WASTE FITTING

FOR USE WITH FLOOR MOUNTED BACK OUTLET CLOSET



NOTE: Fittings shown are regularly furnished with (2) 2" (51) NO-HUB Sanitary Sweep Inlet.

NOTE: Dimensions shown in parentheses are in millimeters.

Minimum © dimension of 1" (25) available using special male end coupling (see type 2M below)

\*NOTE: Coupling should extend 5/16" (8) beyond finished wall.

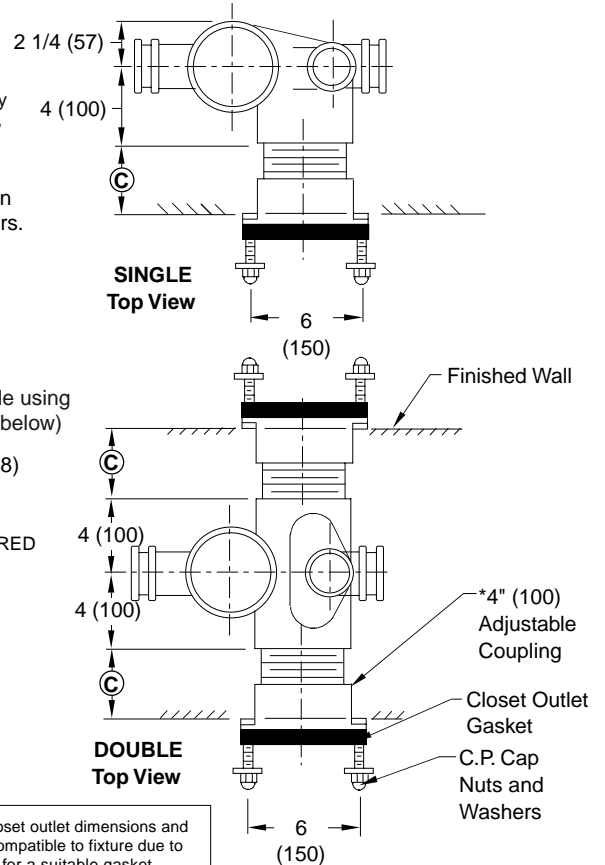
ALWAYS SPECIFY © DIMENSION REQUIRED

A (Pipe Size) = 04 (100)

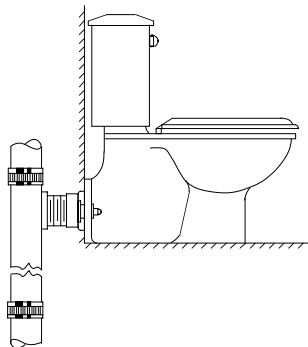
- Fig. 0689LY . . . NO-HUB LEFT HAND LONG BARREL
- Fig. 0689RY . . . NO-HUB RIGHT HAND LONG BARREL
- Fig. 0689DY . . . NO-HUB DOUBLE LONG BARREL

© Dimension as regularly furnished permits a dimension of 3" (76) min. to 4 1/2" (115) max. coupling provides 3/4" (19) adjustment in either direction.

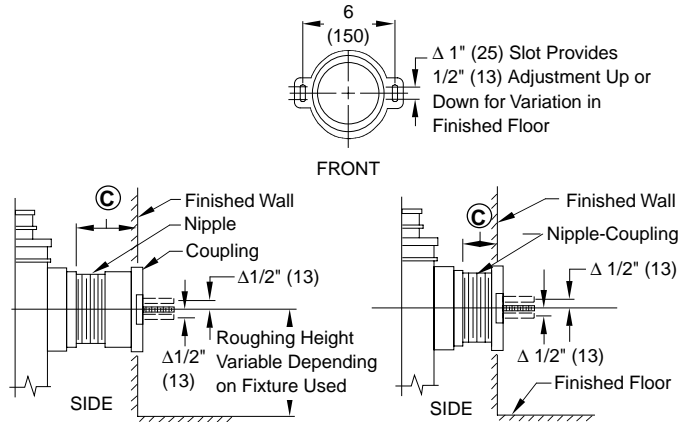
The water closet gasket regularly furnished is made of molded neoprene and designed to fit water closet outlet dimensions and configurations shown in ANSI Standard A112.19.2M-1982, Figure 13B. If gasket is not found to be compatible to fixture due to nonconformance of said fixture to ANSI A112.19.2M, then fixture manufacturer shall be consulted for a suitable gasket recommendation. Jay R. Smith assumes no liability for connections to fixtures which do not conform to these standards.



## TYPICAL APPLICATION



## OUTLET CONNECTIONS



## NIPPLE LENGTHS AVAILABLE

NIPPLE LENGTH	MIN	©	MAX
2 1/2 (64)	2 3/4 (70)		3 3/4 (95)
*3 1/4 (83)	3 (76)		4 1/2 (115)
4 1/2 (115)	4 1/4 (110)		5 3/4 (145)
5 1/4 (135)	5 (125)		6 1/2 (165)
6 1/4 (160)	6 (150)		7 1/2 (190)
7 (180)	6 3/4 (170)		8 1/4 (210)
8 1/4 (210)	8 (205)		9 1/2 (240)
10 (255)	9 3/4 (250)		11 1/4 (285)
12 (305)	11 3/4 (300)		13 1/4 (335)
15 (380)	14 3/4 (375)		16 1/4 (415)
18 (455)	17 3/4 (450)		19 1/4 (490)

\* Regularly Furnished

DRAWING NUMBER  
S0689Y

SIZE  
A

SCALE:  
NONE

DATE:  
12-6-71

APPROVED BY:  
RP

CHECKED BY:  
RP

DRAWN BY:  
RK

0689Y

WE CAN ASSUME NO RESPONSIBILITY FOR USE OF SUPERSEDED OR VOID DATA

DIMENSIONS ARE SUBJECT TO MANUFACTURERS TOLERANCE AND CHANGE WITHOUT NOTICE

C	3-24-97	Chg'd "C"'s Added Millimeters Submittal Update	EMB	BS
B	4-15-96		EMB	BS
A	10-12-94		CMB	BS
REV.	DATE	DESCRIPTION	BY	CKD. BY

WEIGHT POUNDS	VOLUME CUBIC FEET
------------------	----------------------

FIGURE NUMBER  
**0689Y**