

F

SMITH® JAY R. SMITH MFG. CO.®
 DIVISION OF SMITH INDUSTRIES, INC.
 POST OFFICE BOX 3237
 MONTGOMERY, ALABAMA 36109-0237 (USA)
 TEL: 334-277-8520 FAX: 334-272-7396 www.jrsmith.com



MEMBER OF:

LOCATION

DRAWING NUMBER
S0600

SIZE
A

SCALE:
NONE

DATE:
09/27/01

APPROVED BY:

CHECKED BY:

DRAWN BY:
JJ

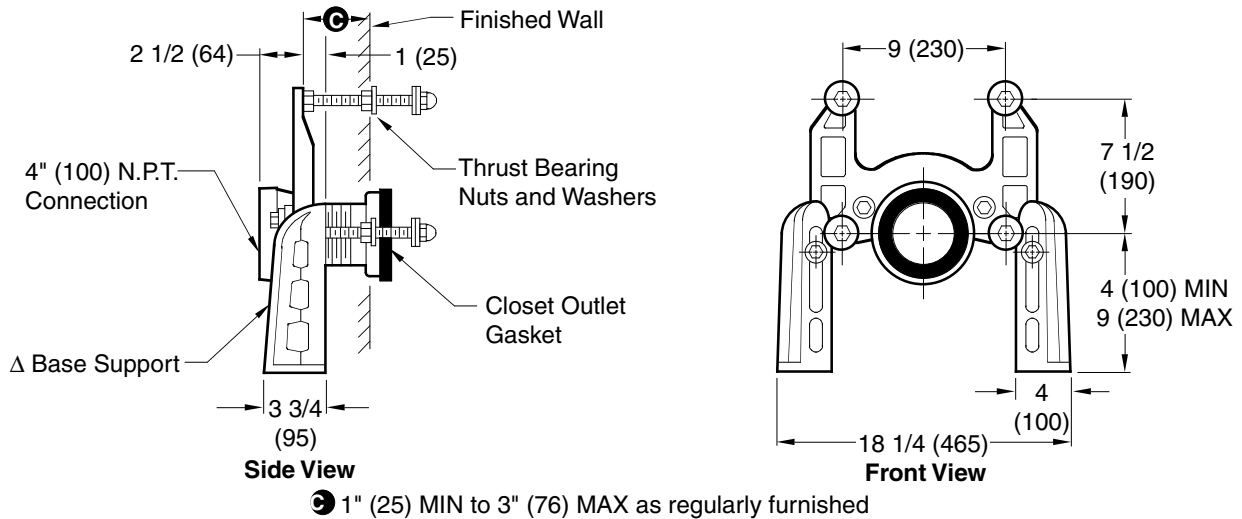
0600

WE CAN ASSUME NO RESPONSIBILITY FOR USE OF SUPERSEDED OR VOID DATA

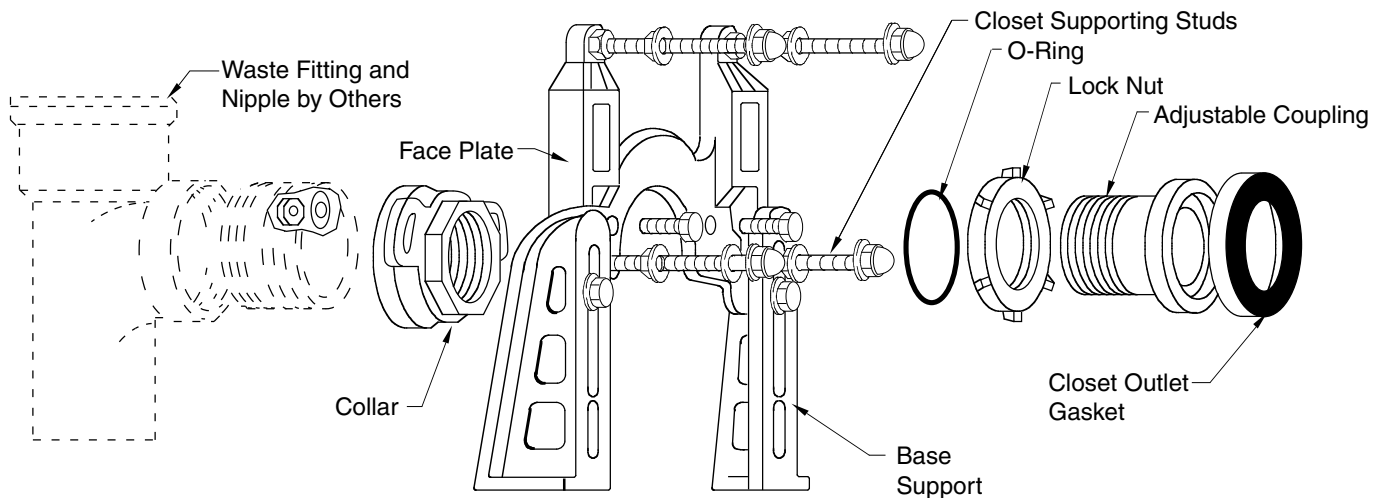
DIMENSIONS ARE SUBJECT TO MANUFACTURERS TOLERANCE AND CHANGE WITHOUT NOTICE

FACE PLATE FIXTURE SUPPORTS

WITHOUT FITTINGS FOR SIPHON JET WATER CLOSETS



TYPICAL EXPLODED VIEW OF 0600 SERIES



Δ Base support must be securely anchored to floor (with four 1/2" (13) Bolts furnished by others).

NOTE:

See reverse side for recommended setting of closet outlet connection and various modifications.

The water closet gasket regularly furnished is made of molded neoprene and designed to fit water closet outlet dimensions and configurations shown in ANSI Standard A112.19.2M-1982, Figure 13B. If gasket is not found to be compatible to fixture due to nonconformance of said fixture to ANSI A112.19.2M, then fixture manufacturer shall be consulted for a suitable gasket recommendation. Jay R. Smith assumes no liability for connections to fixtures which do not conform to these standards.

NOTE: Dimensions shown in parentheses are in millimeters.

NOTE:

Longer couplings available when required, up to 14" (355) long.

REV.	DATE	DESCRIPTION	BY	CKD. BY	WEIGHT POUNDS	VOLUME CUBIC FEET	FIGURE NUMBER
F E D	10/01/01 05/01/96 06/07/95	Revised Slots and Cap Nuts Revised Added Millimeters	JJ EMB EMB	AM BS BS			0600

B



JAY R. SMITH MFG. CO.
 DIVISION OF SMITH INDUSTRIES, INC.
 POST OFFICE BOX 3237
 MONTGOMERY, ALABAMA 36109-0237 (USA)
 TEL: 334-277-8520 FAX: 334-272-7396 www.jrsmith.com



MEMBER OF:

LOCATION

DRAWING NUMBER
S0600BS

SIZE
A

SCALE:
NONE

DATE:
10-27-89

APPROVED BY:
TD

CHECKED BY:
RP

DRAWN BY:
RVB

0600BS

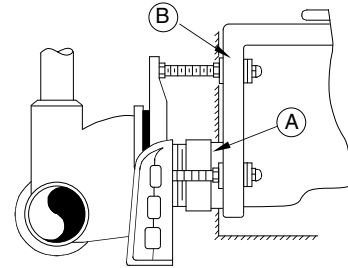
WE CAN ASSUME NO RESPONSIBILITY FOR USE OF SUPERSEDED OR VOID DATA

DIMENSIONS ARE SUBJECT TO MANUFACTURERS TOLERANCE AND CHANGE WITHOUT NOTICE

MODIFICATIONS AND VARIATIONS FOR SIPHON WATER CLOSETS

RECOMMENDED SETTING OF CLOSET OUTLET CONNECTION AND FIXTURE STUDS

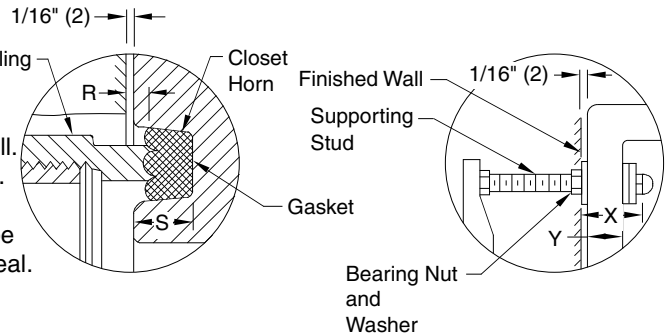
Manufacturers have slight differences in the depth of the closet horn and flange thickness of their closets. Usually the fixture support closet connection should extend 1/4" (6) beyond face of finished wall (Dimension "R") and the fixture studs 2 1/4" (57) (Dimension "X"). For exact dimensions please use the formulas below.



DETAIL A Formula for "R" is: $S + 1/16" (2) - 1/2" (13) = R$

S = Depth of closet horn
 1/16" (2) = Distance closet is to set away from finished wall.
 R = Distance coupling should extend beyond finished wall.

NOTE: When the fixture is installed, closet gasket must be compressed sufficiently to assure a gas and water-tight seal.



DETAIL B Formula for "X" is: $Y + 1/16" (2) + 9/16" (14) = X$

Y = Thickness of closet wall flange
 1/16" (2) = Distance closet is to set away from finished wall.
 X = Distance supporting stud should extend beyond finished wall.

NOTE: Dimensions shown in parentheses are in millimeters.

FIGURE NUMBER

B
A

6-14-95
7-26-93

Added Millimeters
Submittal Update

EMB
EMB

BS
BS

WEIGHT
POUNDS

VOLUME
CUBIC FEET

FIGURE NUMBER

0600BS

REV.

DATE

DESCRIPTION

BY

CKD. BY