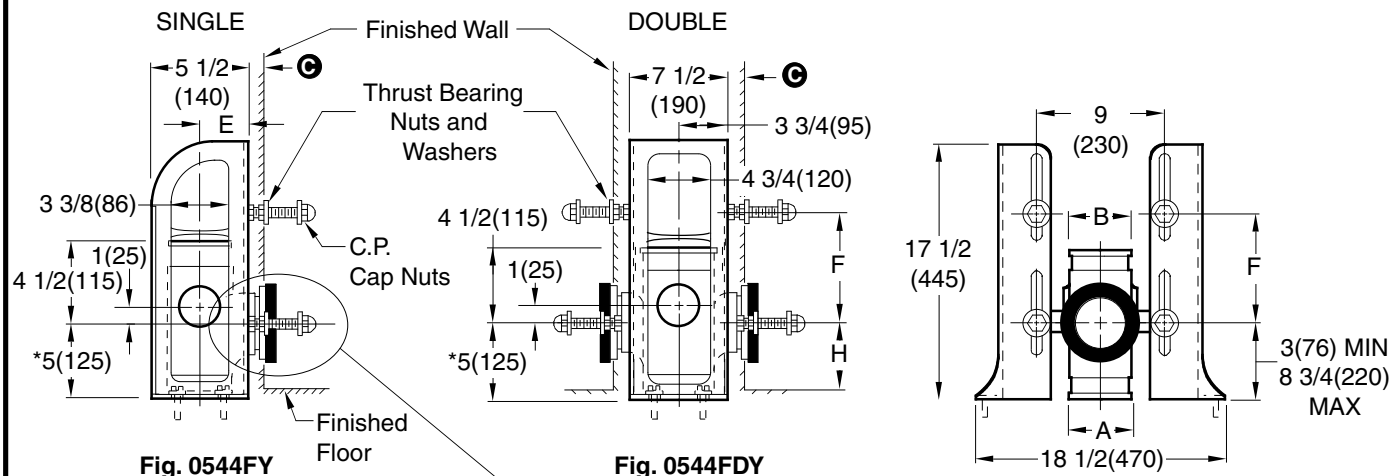


# COMPACT FIXTURE SUPPORTS

## FOR SIPHON JET WATER CLOSETS WITH VERTICAL CENTER LINE FITTINGS

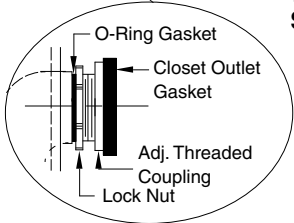
### FLOOR MOUNT FRAME FOR NO-HUB SYSTEMS



**Fig. 0544FY**  
Side View

**Fig. 0544FDY**  
Side View

**Front View**



- Fig. 0532FY . . . 3"(80) NO-HUB w/2"(51) Vent
- Fig. 0533FY . . . 3"(80) NO-HUB w/3"(76) Vent
- ▲ Fig. 0542FY . . . 4"(100) NO-HUB w/2"(51) Vent
- ▲ Fig. 0544FY . . . 4"(100) NO-HUB w/4"(100) Vent
- ▲ Fig. 0544FDY . . . 4"(100) NO-HUB Double w/4"(100) Vent

\* **NOTE:** 5"(125) dimension is to bottom of fitting.  
**NOTE:** Coupling should extend 5/16"(8) beyond finished wall.  
**NOTE:** When using closet with bar hanger, add suffix-H to figure numbers shown.  
**NOTE:** See roughing-in table on reverse side for "F" and "H" dimensions and list of compatible fixtures. Double support for use with gravity flush tank type water closets only.  
**NOTE:** Longer closet studs and couplings available when required.  
 Ⓞ 1"(25) MIN to 1 1/4"(32) MAX regularly furnished. Other dimensions available upon request.  
 ▲ **NOTE:** Back of fitting extends beyond frame 3/4"(19) for 4"(100) sizes. Recommend use with 2 x 8 studs only.

A SIZE	B SIZE	E
3(80)	2(51)	3(76)
3(80)	3(76)	3(76)
4(100)	2(51)	3 1/2(89)
4(100)	4(100)	3 1/2(89)

#### INSTALLATION INSTRUCTIONS

- A. The center of the stack should be located by the "E" dimension shown on the table. "E" dimension for 0544FDY is 3 3/4(95).
- B. To determine the height of the stack in relation to the finished floor, subtract the "H" dimension from the 5"(125) dimension.
- C. The fitting should now be coupled into the stack.
- D. Assemble the faceplates temporarily to the fitting, mark the location of the bolt holes in the slab, and then secure faceplates to the floor.
- E. Faceplates are fastened to the arms of the adaptor by means of the fixture studs, nuts and washers provided.
- F. Thread locknut on male thread of adjustable coupling approximately 1"(25) and push "O"-Ring against locknut.
- G. Apply No. 90 Smith Seal to male threads on coupling. Install coupling and adjust it to extend 5/16"(8) beyond finished wall. Thread locknut snugly.
- H. Assemble the bearing nuts and washers to the fixture supporting studs. The fixture studs should extend 2 1/4"(51) beyond finished wall.
- I. Adjust bearing nuts so that washers extend 1/16"(2) beyond finished wall.
- J. After wall is erected, remove any plaster grout touching the fixture studs, bearing nuts washers and coupling.
- K. Place gasket in closet recess and set closet on studs protruding from wall making sure that closet outlet is centered on coupling.
- L. Place fiber washers on studs. Apply the two bottom and top left cap nuts, tighten securely. Apply the top right cap nut hand tight and snug up 1/4 turn with wrench.

**NOTE:** When installing closet with bar hanger support follow the same instructions as above, except that the hanger plate should be mounted on the top fixture studs. Adjust the top bearing nuts so that the face of the hanger extends 1/16"(2) beyond the finished wall, then lock in place with hex nuts.

**NOTE:** SEE REVERSE SIDE FOR ROUGH-IN TABLE.

**NOTE:** Dimensions shown in parentheses are in millimeters.

DRAWING NUMBER: S0532FY  
 SIZE: A  
 SCALE: NONE  
 DATE: 1-17-86  
 APPROVED BY: SB  
 CHECKED BY: JD  
 DRAWN BY: CM  
 FIGURE NUMBER: 0532FY, 0533FY, 0542FY, 0544FY  
 DIMENSIONS ARE SUBJECT TO MANUFACTURERS TOLERANCE AND CHANGE WITHOUT NOTICE  
 WE CAN ASSUME NO RESPONSIBILITY FOR USE OF SUPERSEDED OR VOID DATA

REV.	DATE	DESCRIPTION	BY	CKD. BY	WEIGHT POUNDS	VOLUME CUBIC FEET	FIGURE NUMBER
	1-27-06	Revised Note & Removed Note	RN	CL			0532FY, 0533FY, 0542FY, 0544FY
	8-26-05	Revised Note	TBW	CL			
	05/21/01	Deleted 2" x 4"	JJ	CL			
	8-2-96	Added Millimeters	EMB	BS			

D



**JAY R. SMITH MFG. CO.**  
 DIVISION OF SMITH INDUSTRIES, INC.  
 POST OFFICE BOX 3237  
 MONTGOMERY, ALABAMA 36109-0237 (USA)  
 TEL: 334-277-8520 FAX: 334-272-7396 www.jrsmith.com



MEMBER OF:



LOCATION

# ROUGH-IN TABLE FOR RESIDENTIAL WATER CLOSETS

## DIMENSION "H" ROUGH-IN HEIGHTS

FIXTURE MFG.	NAME	NUMBER	F	H
AM. STD.	GLENWALL	2093.100	7 1/2 (190)	4 1/8 (105)
CRANE	REXMONT	3-217	7 1/2 (190)	4 (100)
ELJER	WALFORD	091-7925, 7926, 7928, 7933	7 1/2 (190)	6 3/4 (170)

**NOTE:** The rough-in dimensions listed on this drawing are based on current information available to Jay R. Smith by the fixture manufacturers. We recommend that you verify these dimensions with the fixture manufacturer. We will not accept responsibility for rough-in dimension changes by the fixture manufacturer.

**NOTE:** Dimensions shown in parentheses are in millimeters.

DRAWING NUMBER  
S0500BS

SIZE  
A

SCALE:  
NONE

DATE:  
1-24-86

APPROVED BY:  
SB

CHECKED BY:  
JD

DRAWN BY:  
CM

WE CAN ASSUME NO RESPONSIBILITY FOR USE OF SUPERSEDED OR VOID DATA  
DIMENSIONS ARE SUBJECT TO MANUFACTURERS TOLERANCE AND CHANGE WITHOUT NOTICE

0500 SERIES

FIGURE NUMBER

D	1-27-06	Added NOTE to BS	RN	CL
C	8-26-05	Revised Table	TBW	CL
B	8-1-96	Added Millimeters	EMB	BS
A	7-20-93	Submittal Update	EMB	BS
REV.	DATE	DESCRIPTION	BY	CKD. BY

WEIGHT POUNDS	VOLUME CUBIC FEET	FIGURE NUMBER <b>0500 SERIES</b>
------------------	----------------------	-------------------------------------