

NO-HUB FIXTURE SUPPORTS WITH VERTICAL OFFSET FITTINGS FOR BLOWOUT WATER CLOSETS

DRAWING NUMBER
S0430Y

SIZE
A

SCALE:
NONE

DATE:
05/18/04

APPROVED BY:
CL

CHECKED BY:
CL

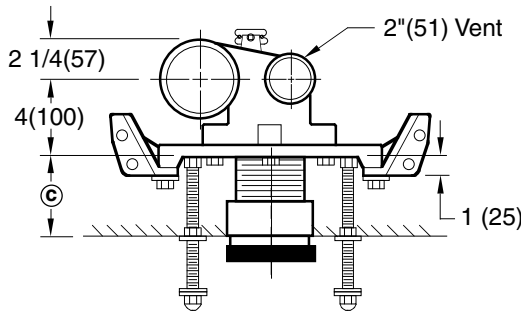
DRAWN BY:
JJ

0430Y

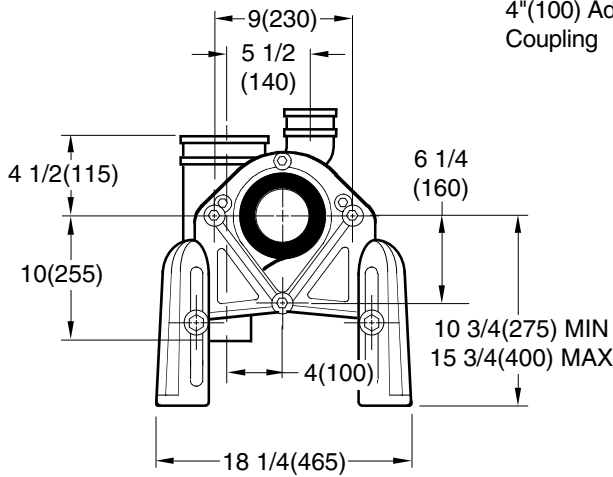
FIGURE NUMBER

WE CAN ASSUME NO RESPONSIBILITY FOR USE OF SUPERSEDED OR VOID DATA

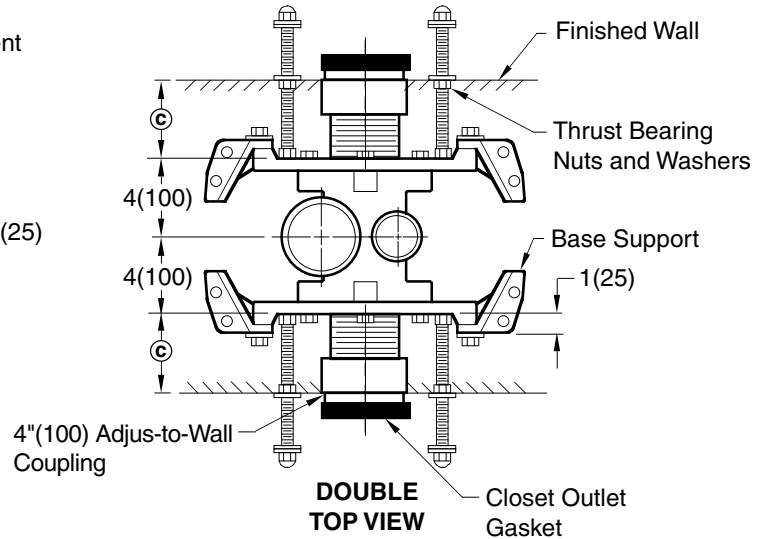
DIMENSIONS ARE SUBJECT TO MANUFACTURERS TOLERANCE AND CHANGE WITHOUT NOTICE



**FIG. 0430RY
TOP VIEW**



FRONT VIEW



**DOUBLE
TOP VIEW**

NOTE: Base support must be securely anchored to floor with four 1/2" (13) bolts provided by contractor.

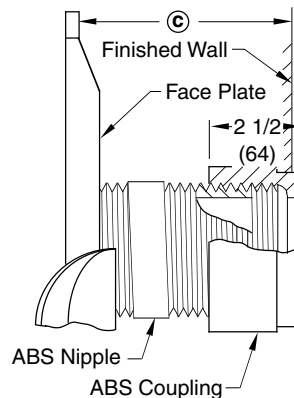
NOTE: When used with concealed flush valve, locate face plate behind supply pipe.

- FIG. 0430LY...NO-HUB...LEFT HAND
- FIG. 0430RY...NO-HUB...RIGHT HAND
- FIG. 0430DY...NO-HUB...DOUBLE

© DIMENSION - ADJUS-TO-WALL TYPE OUTLET CONNECTION

The Smith Adjus-to-Wall outlet connection provides adjustment at the face of the wall at the time the fixture is set; thus, compensating for wall construction variations. The © dimension is measured from the front of the face plate to the finished wall. To properly determine the length of nipple required, deduct 1" (25) from the © dimension. The Adjus-to-Wall coupling will provide 1/2" (13) horizontal adjustment in either direction with the coupling extended 5/16" (8) past face of the finished wall.

© Dimension = 4" (100) (regularly furnished) consisting of nipple and Adjus-to-Wall coupling permitting adjustment from 3" (76) min. to 4" (100) max.



NOTE: Dimensions shown in parentheses are in millimeters.

NIPPLE LENGTHS AVAILABLE

LENGTH	MIN	©	MAX
2 1/2 (64)	2 1/4 (57)		3 1/4 (83)
*3 1/4 (83)	3 (76)		4 (100)
*8 1/4 (210)	8 (205)		9 (230)
10 (255)	9 3/4 (250)		10 3/4 (275)
12 (305)	11 3/4 (300)		12 3/4 (325)
15 (380)	14 3/4 (375)		15 3/4 (400)
18 (455)	17 3/4 (450)		18 3/4 (475)

NOTE: When nipple lengths between 3 1/4" (83) and 8 1/4" (210) are specified, the 8 1/4" (210) nipple will be supplied. Nipple must be cut to specified length by others.

*ABS (Regularly Furnished) other lengths PVC.

REV.	DATE	DESCRIPTION	BY	CKD. BY

WEIGHT
POUNDS

VOLUME
CUBIC FEET

FIGURE NUMBER

0430Y

