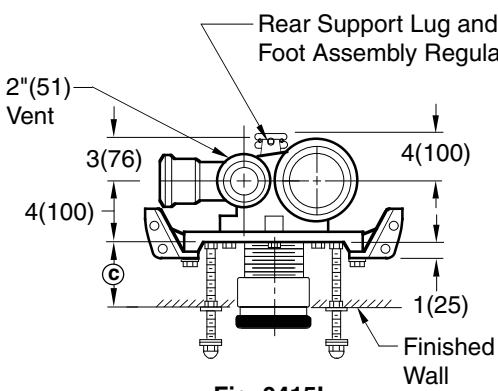


**COMPACT FIXTURE SUPPORTS  
 WITH VERTICAL OFFSET FITTINGS FOR SIPHON JET WATER CLOSETS**

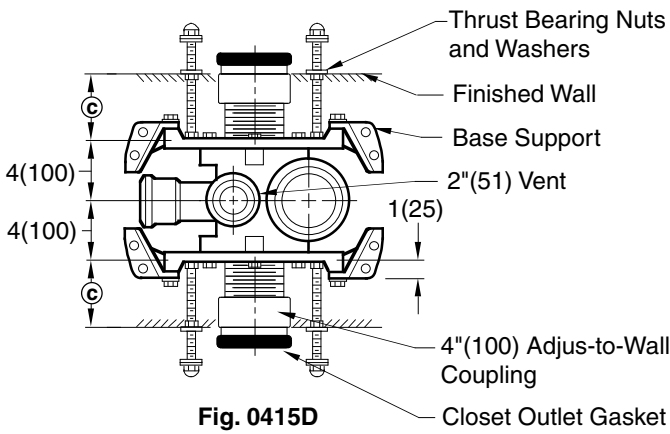
**WITH SANITARY SWEEP INLET ON VENT SIDE**

**SINGLE**

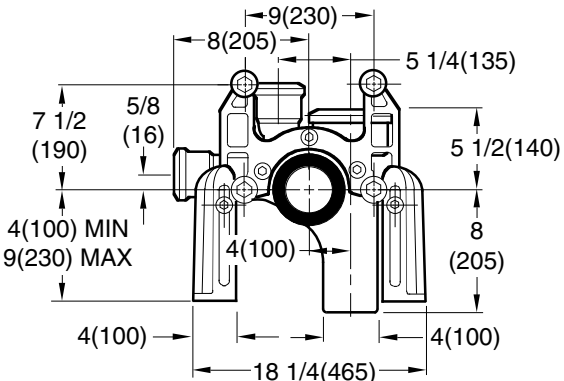


**Fig. 0415L  
 Top View**

**DOUBLE**



**Fig. 0415D  
 Top View**



**Front View**

- Fig. 0415L . . . CAULK Left Hand
- Fig. 0415R . . . CAULK Right Hand
- Fig. 0415D . . . CAULK Double

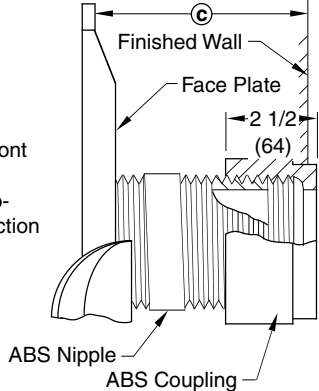
- NOTE:** When used with concealed flush valve, locate face plate behind supply pipe.
- NOTE:** Base support must be securely anchored to floor (with four 1/2"(13) bolts provided by contractor).
- NOTE:** See reverse side for recommended setting of closet outlet connection and various modifications.
- NOTE:** Side inlet 1 1/2"(38) or 2"(51) N.P.T. or 2"(51) caulk (specify type and size)

The water closet gasket regularly furnished is made of molded neoprene and designed to fit water closet outlet dimensions and configurations shown in ANSI Standard A112.19.2M-1995, Figure 13B. If gasket is not found to be compatible to fixture due to nonconformance of said fixture to ANSI A112.19.2M, then fixture manufacturer shall be consulted for a suitable gasket recommendation. Jay R. Smith assumes no liability for connections to fixtures which do not conform to these standards.

© DIMENSION - ADJUS-TO-WALL  
 TYPE OUTLET CONNECTION

The Smith Adjus-to-Wall outlet connection provides adjustment at the face of the wall at the time the fixture is set; thus, compensating for wall construction variations. The © dimension is measured from the front of the face plate to the finished wall. To properly determine the length of nipple required, deduct 1" (25) from the © dimension. The Adjus-to-Wall coupling will provide 1/2" (13) horizontal adjustment in either direction with the coupling extended 5/16" (8) past face of the finished wall.

© dimension = 4" (100) (regularly furnished) consisting of nipple and Adjus-to-Wall coupling permitting adjustment from 3" (76) min. to 4" (100) max.



**NIPPLE LENGTHS AVAILABLE**

LENGTH	MIN	©	MAX
2 1/2 (64)	2 1/4 (57)	3 1/4 (83)	
*3 1/4 (83)	3 (76)	4 (100)	
*8 1/4 (210)	8 (205)	9 (230)	
10 (255)	9 3/4 (250)	10 3/4 (275)	
12 (305)	11 3/4 (300)	12 3/4 (325)	
15 (380)	14 3/4 (375)	15 3/4 (400)	
18 (455)	17 3/4 (450)	18 3/4 (475)	

**NOTE:** When nipple lengths between 3 1/4" (83) and 8 1/4" (210) are specified, the 8 1/4" (210) nipple will be supplied. Nipple must be cut to specified length by others.

\*ABS (Regularly Furnished) other lengths PVC.

**NOTE:** Dimensions shown in parentheses are in millimeters.

DRAWING NUMBER S0415  
 SIZE A  
 SCALE: NONE  
 DATE: 11-24-70  
 APPROVED BY:  
 CHECKED BY: BH  
 DRAWN BY: DA  
 FIGURE NUMBER 0415

WE CAN ASSUME NO RESPONSIBILITY FOR USE OF SUPERSEDED OR VOID DATA  
 DIMENSIONS ARE SUBJECT TO MANUFACTURERS TOLERANCE AND CHANGE WITHOUT NOTICE

H	7-1-98	Submittal Update	ASL	BS	WEIGHT POUNDS	VOLUME CUBIC FEET	FIGURE NUMBER <b>0415</b>
G	1-26-98	Chg'd Callout	EMB	BS			
F	3-5-97	Added Millimeters	EMB	BS			
E	5-20-94	Submittal Update	EMB	BS			
REV.	DATE	DESCRIPTION	BY	CKD. BY			

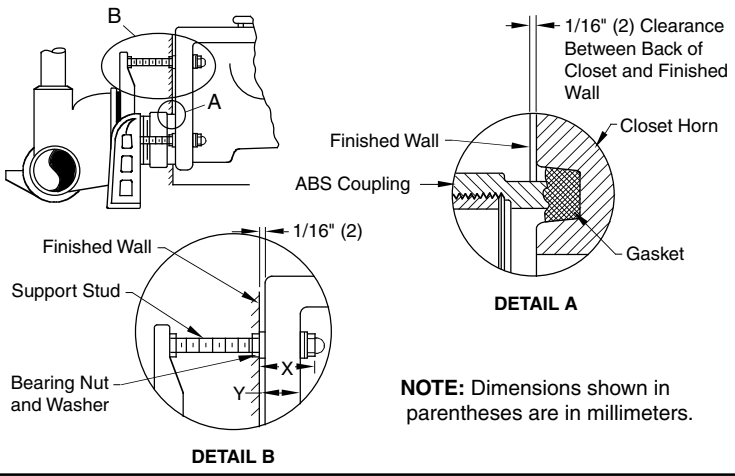
# MODIFICATIONS & VARIATIONS FOR SIPHON JET WATER CLOSETS

## RECOMMENDED SETTING OF CLOSET OUTLET CONNECTION AND FIXTURE STUDS

Manufacturers have slight differences in the depth of the closet horn and flange thickness of their closets. Usually the fixture support closet connection should extend 5/16" (8) beyond face of finished wall (Dimension "R") and the fixture studs 2 1/4" (57) (Dimension "X"). For exact dimensions please use the formulas below.

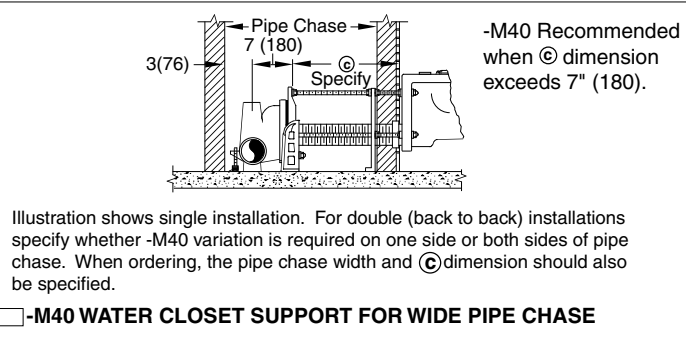
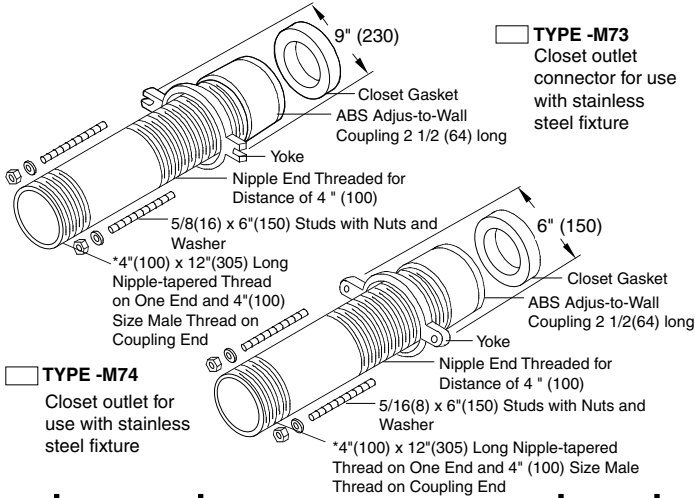
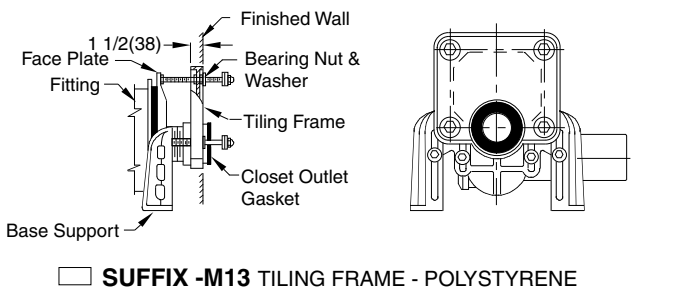
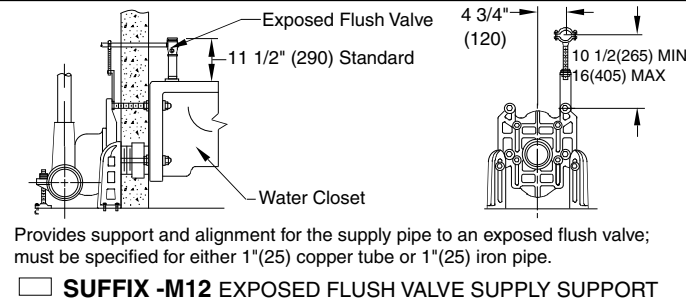
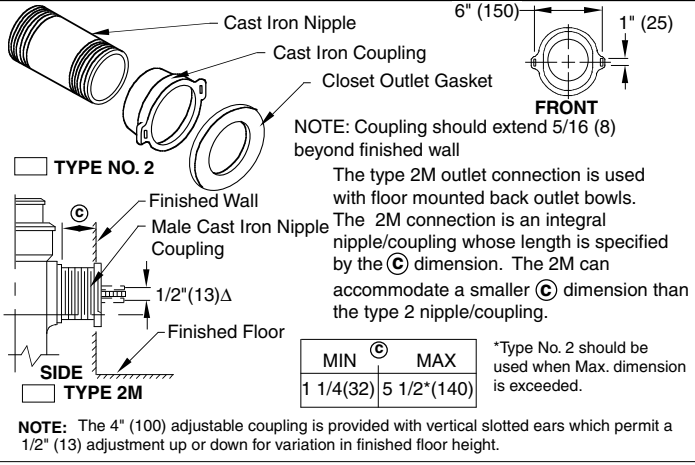
**DETAIL A** Formula for "R" is:  $S + 1/16" (2) - D = R$ .  
 S = Depth of closet horn  
 1/16" (2) = Distance closet is to set away from finished wall.  
 D = 1/2" (13) for felt gasket and 3/8" (10) for neoprene gasket.  
 R = Distance coupling should extend beyond finished wall.  
**NOTE:** When the fixture is installed, closet gasket must be compressed sufficiently to assure a gas and water-tight seal.

**DETAIL B** Formula for "X" is:  $Y + 1/16" (2) + 9/16" (14) = X$ .  
 Y = Thickness of closet wall flange.  
 1/16" (2) = Distance closet is to set away from finished wall.  
 X = Distance supporting stud should extend beyond finished wall.  
**NOTE:** Bearing nuts and washers must be set to take full loading from the fixture allowing 1/16" (2) clearance between fixture and wall.



**NOTE:** Dimensions shown in parentheses are in millimeters.

## OPTIONAL CLOSET OUTLET CONNECTIONS



**100/400 Series Back Sheet**  
 DRAWING NUMBER: S0100BS  
 SIZE: A  
 SCALE: NONE  
 DATE: 1-16-85  
 APPROVED BY: JD  
 CHECKED BY: CR  
 DRAWN BY: VGD  
 DIMENSIONS ARE SUBJECT TO MANUFACTURERS TOLERANCE AND CHANGE WITHOUT NOTICE

FIGURE NUMBER	C B A	12-10-03 2-26-96 7-1-93	Added Note Added Millimeters Submittal Update	RN EMB EMB	CL BS BS	WEIGHT POUNDS	VOLUME CUBIC FEET	FIGURE NUMBER <b>100/400 Series Back Sheet</b>
REV.	DATE	DESCRIPTION		BY	CKD. BY			