

B

**SMITH® JAY R. SMITH MFG. CO.®**  
 DIVISION OF SMITH INDUSTRIES, INC.  
 POST OFFICE BOX 3237  
 MONTGOMERY, ALABAMA 36109-0237 (USA)  
 TEL: 334-277-8520 FAX: 334-272-7396 www.jrsmith.com



LOCATION

DRAWING NUMBER  
**S0240Y-M58-M54-XX**

SIZE  
**A**

SCALE:  
**NONE**

DATE:  
**10/10/07**

APPROVED BY:  
**CL**

CHECKED BY:  
**CL**

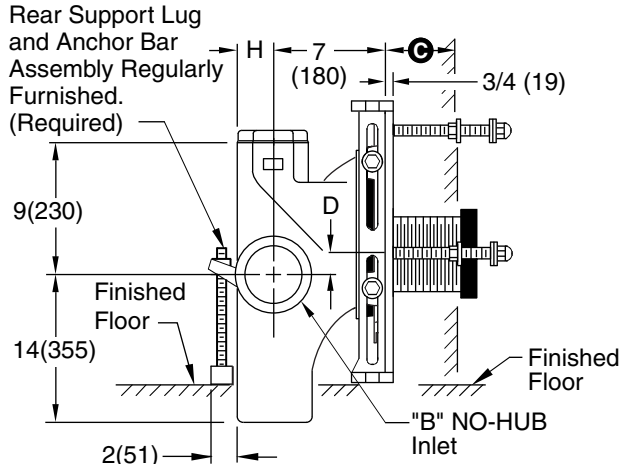
DRAWN BY:  
**JJ**

**0240Y-M58-M54-XX**

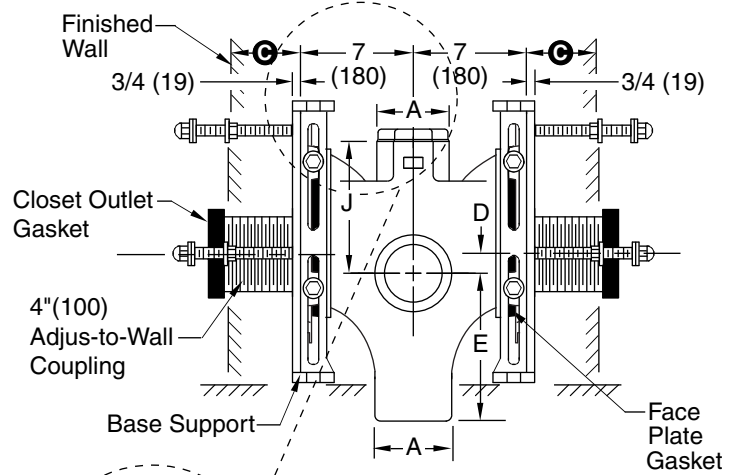
FIGURE NUMBER

# ADJUSTABLE FIXTURE SUPPORTS SHALLOW ROUGH-IN

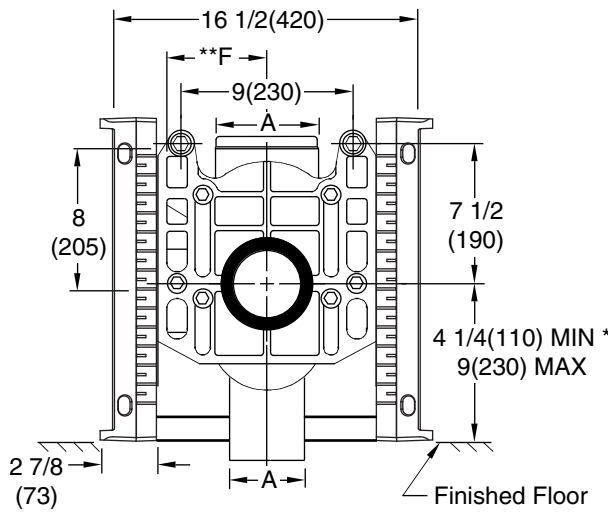
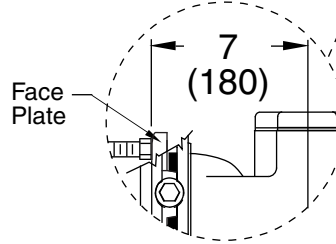
## NO-HUB VERTICAL FITTINGS WITH SIDE INLET EXTRA HEAVY DUTY - 750 LBS.



**Fig. 0240LY-M58-M54-XX**  
 Side View  
 SINGLE



**Fig. 0240DY-M58-M54-XX**  
 Side View



**Front View**  
 SINGLE

- Fig. 0240LY-M58-M54-XX . . . NO-HUB L.H. Inlet
- Fig. 0240RY-M58-M54-XX . . . NO-HUB R.H. Inlet
- Fig. 0240DY-M58-M54-XX . . . NO-HUB Double Inlet

Jay R. Smith 0240Y-M58-M54-XX complies with and/or exceeds all requirements of ASME A112.6.1M up to 750 lbs.

A x B SIZE	D		E	**F	H	
	MIN	MAX				
4(100) x 4(100)	1 1/2(38)	4 1/4(110)	14(355)	5 1/4(135)	2 1/4(57)	9(230)
5(125) x 4(100)	1 1/2(38)	4 1/4(110)	11 1/2(290)	6 1/2(165)	2 3/4(70)	11 1/2(290)
5(125) x 5(125)	1 1/2(38)	4 1/4(110)	11 1/2(290)	6 1/2(165)	2 3/4(70)	11 1/2(290)
6(150) x 4(100)	1 1/2(38)	4 1/4(110)	11 1/2(290)	6 1/4(160)	3 1/4(83)	11 1/2(290)
6(150) x 5(125)	1 1/2(38)	4 1/2(115)	11 1/2(290)	6 1/4(160)	3 1/4(83)	11 1/2(290)

**NOTE:** Base support must be securely anchored to floor with 1/2" (13) anchors able to withstand a pull-out force of 500 lbs (227 kg). The rear anchor bar must be securely anchored to floor with 1/2" (13) anchors able to withstand a pull-out force of 1000 lbs (454 kg). Pull-out forces are calculated values, no safety factor has been applied.

**NOTE:** Shallower minimum rough-in dimension to accommodate lower rough bowls available. Specify dimension required.

**NOTE:** 1 1/2"(38) or 2"(51) tapped inlet available. Add suffix -N.

**NOTE:** \*9"(230) core drilled hole is required for rough-in 4 1/4(110) thru 6 1/2(165).

**⊙** Dimension = 3 1/4" (83) - 9 3/4" (247) with regularly furnished 10" (255) nipple. The threaded end of nipple must be cut to specified length required by others.

**NOTE:** Dimensions shown in parentheses are in millimeters.

\*\* dimension is from centerline of vent to centerline of stack.

REV.	DATE	DESCRIPTION	BY	CKD. BY
B	11/20/09	3/4 (19) was 1/2 (13)	JJ	CL
A	5-13-08	Revised Note	TBW	CL

WEIGHT POUNDS	VOLUME CUBIC FEET
------------------	----------------------

**FIGURE NUMBER**  
**0240Y-M58-M54-XX**

WE CAN ASSUME NO RESPONSIBILITY FOR USE OF SUPERSEDED OR VOID DATA

DIMENSIONS ARE SUBJECT TO MANUFACTURERS TOLERANCE AND CHANGE WITHOUT NOTICE