

H



JAY R. SMITH MFG. CO.
 DIVISION OF SMITH INDUSTRIES, INC.
 POST OFFICE BOX 3237
 MONTGOMERY, ALABAMA 36109-0237 (USA)
 TEL: 334-277-8520 FAX: 334-272-7396 www.jrsmith.com



MEMBER OF:

LOCATION

ADJUSTABLE FIXTURE SUPPORTS

FOR SIPHON JET WATER CLOSETS - SHALLOW ROUGH-IN TYPE

NO-HUB VERTICAL FITTINGS WITH SIDE INLET

SINGLE

DOUBLE

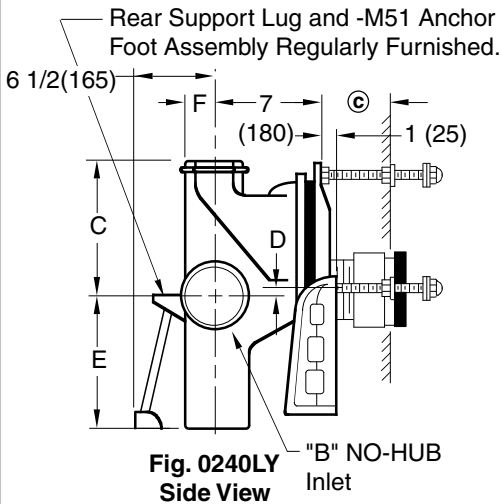


Fig. 0240LY
Side View

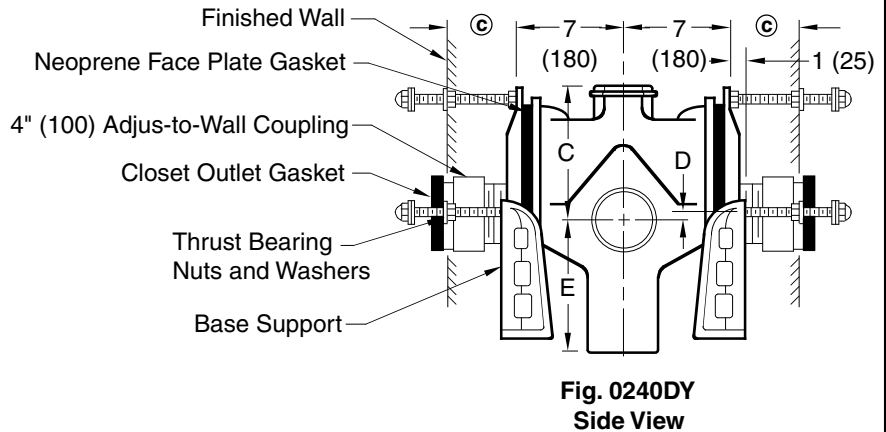


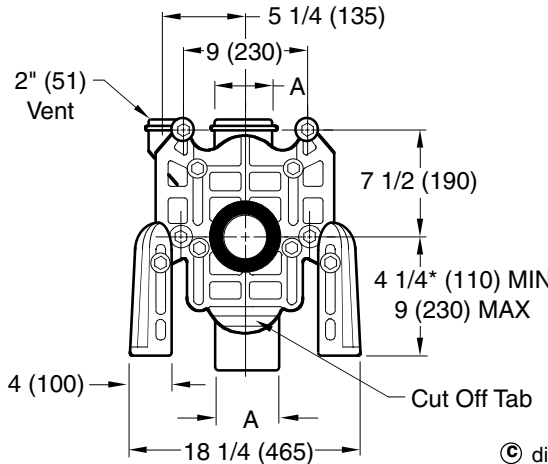
Fig. 0240DY
Side View

NOTE: Base support must be securely anchored to floor (with four 1/2" (13) bolts provided by contractor).

NOTE: \varnothing of stack to end of NO-HUB side inlet in 5" (125).

NOTE: Dimensions shown in parentheses are in millimeters.

***NOTE:** 9" (230) core drilled hole is required for rough-in 4 1/4 (110) thru 6 1/2 (165).



Front View

The water closet gasket regularly furnished is made of molded neoprene and designed to fit water closet outlet dimensions and configurations shown in ANSI Standard A112.19.2M-1995, Figure 13B. If gasket is not found to be compatible to fixture due to nonconformance of said fixture to ANSI A112.19.2M, then fixture manufacturer shall be consulted for a suitable gasket recommendation. Jay R. Smith assumes no liability for connections to fixtures which do not conform to these standards.

\varnothing dimension = 4" (100) (regularly furnished) consisting of nipple and Adjus-to-Wall coupling permitting adjustment from 3" (76) min. to 4" (100) max.

- Fig. 0240LY . . . NO-HUB Left Hand
- Fig. 0240RY . . . NO-HUB Right Hand
- Fig. 0240DY . . . NO-HUB Double

A x B Size	C	D		E	F
		MIN	MAX		
4 (100) x 4 (100)	9 (230)	1 1/2 (38)	4 1/4 (110)	14 (355)	2 1/4 (57)
5 (125) x 4 (100)	11 1/2 (290)	1 1/2 (38)	4 1/4 (110)	11 1/2 (290)	2 3/4 (70)
5 (125) x 5 (125)	11 1/2 (290)	1 1/2 (38)	4 1/4 (110)	11 1/2 (290)	2 3/4 (70)
6 (150) x 4 (100)	11 1/2 (290)	1 1/2 (38)	4 1/4 (110)	11 1/2 (290)	3 1/4 (83)
6 (150) x 5 (125)	11 1/2 (290)	1 1/2 (38)	4 1/4 (110)	11 1/2 (290)	3 1/4 (83)

DRAWING NUMBER
S240Y

SIZE
A

SCALE:
NONE

DATE:
2-28-86

APPROVED BY:
JD

CHECKED BY:
CR

DRAWN BY:
CM

0240Y

WE CAN ASSUME NO RESPONSIBILITY FOR USE OF SUPERSEDED OR VOID DATA

DIMENSIONS ARE SUBJECT TO MANUFACTURERS TOLERANCE AND CHANGE WITHOUT NOTICE

H	10/09/99	Deleted Note	JJ	BS	WEIGHT POUNDS	VOLUME CUBIC FEET	FIGURE NUMBER 0240Y
G	7-1-98	Submittal Update	ASL	BS			
F	1-23-98	Chg'd Callout	EMB	BS			
E	6-7-95	Added Millimeters	EMB	BS			
REV.	DATE	DESCRIPTION	BY	CKD. BY			

MODIFICATIONS & VARIATIONS

Ⓢ DIMENSION - ADJUS-TO-WALL TYPE OUTLET CONNECTION

The Smith Adjus-to-Wall outlet connection provides adjustment at the face of the wall at the time the fixture is set; thus, compensating for wall construction variations. The **Ⓢ** dimension is measured from the front of the face plate to the finished wall. To properly determine the length of nipple required, deduct 1" (25) from the **Ⓢ** dimension. When the **Ⓢ** dimension exceeds 7" (180), the -M40 Wide Pipe Chase Support is recommended. The Adjus-to-Wall coupling will provide 1/2" (13) horizontal adjustment in either direction with the coupling extended 5/16" (8) past face of the finished wall.

Ⓢ dimension = 4" (100) (regularly furnished) consisting of nipple and adjus-to-wall coupling permitting adjustment from 3" (76) min. to 4" (100) max.

*ABS (Regularly Furnished) other length PVC.

LENGTH	MIN	Ⓢ	MAX
2 1/2 (64)	2 1/4 (57)	3 1/4 (83)	
*3 1/4 (83)	3 (76)	4 (100)	
*8 1/4 (210)	8 (205)	9 (230)	
10 (255)	9 3/4 (250)	10 3/4 (275)	
12 (305)	11 3/4 (300)	12 3/4 (325)	
15 (380)	14 3/4 (376)	15 3/4 (400)	
18 (455)	17 3/4 (450)	18 3/4 (475)	

NOTE: When nipple lengths between 3 1/4" (83) and 8 1/4" (210) are specified, the 8 1/4" (210) nipple will be supplied. Nipple must be cut to specified length by others.

RECOMMENDED SETTING OF CLOSET OUTLET CONNECTION AND FIXTURE STUDS

Manufacturers have slight differences in the depth of the closet horn and flange thickness of their closets. Usually the fixture support closet connection should extend 5/16" (8) beyond face of finished wall (Dimension "R") and the fixture studs 2 1/4" (57) (Dimension "X"). For exact dimensions please use the formulas below.

DETAIL A Formula for "R" is: $S + 1/16" (2) - D = R$
 S = Depth of closet horn
 1/16" (2) = Distance closet is to set away from finished wall.
 D = 1/2" (13) for felt gasket and 3/8" (10) for neoprene gasket.
 R = Distance coupling should extend beyond finished wall.
 NOTE: When the fixture is installed, closet gasket must be compressed sufficiently to assure a gas and water-tight seal.

DETAIL B Formula for "X" is: $Y + 1/16" (2) + 9/16" (14) = X$
 Y = Thickness of closet wall flange.
 1/16" (2) = Distance closet is to set away from finished wall.
 X = Distance supporting stud should extend beyond finished wall.
 NOTE: Bearing nuts and washers must be set to take full loading from the fixture allowing 1/16" (2) clearance between fixture and wall.

NOTE: Dimensions shown in parentheses are in millimeters.

SUFFIX -M12 EXPOSED FLUSH VALVE SUPPLY SUPPORT

SUFFIX -M13 TILING FRAME - POLYSTYRENE

FIGURE NUMBER	C B A	12-10-03 6-1-95 7-1-93	Revised Notes Added Millimeters Submittal Update	RN EMB EMB	CL BS BS	WEIGHT POUNDS	VOLUME CUBIC FEET	FIGURE NUMBER 0200/0300 Series Back Sheet
REV.	DATE	DESCRIPTION	BY	CKD. BY				

DRAWING NUMBER S0200BS

SIZE A

SCALE: NONE

DATE: 2-28-86

APPROVED BY: JD

CHECKED BY: CR

DRAWN BY: VGD

0200/0300 Series Back Sheet

WE CAN ASSUME NO RESPONSIBILITY FOR USE OF SUPERSEDED OR VOID DATA

DIMENSIONS ARE SUBJECT TO MANUFACTURERS TOLERANCE AND CHANGE WITHOUT NOTICE