

ADJUSTABLE FIXTURE SUPPORTS FOR SIPHON JET WATER CLOSETS DEEP ROUGH-IN TYPE

VERTICAL FITTINGS WITH TWO SIDE HUB INLETS

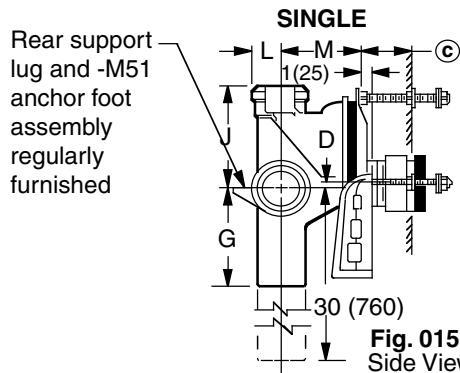


Fig. 0150
Side View

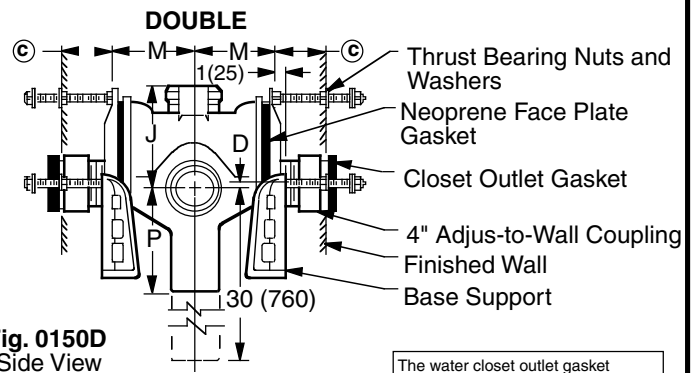
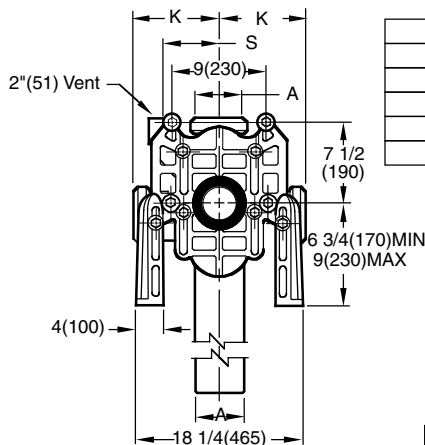


Fig. 0150D
Side View



Front View

- Fig. 0150 CAULK
- Fig. 0150B THREAD
- Fig. 0180 CAULK LONG BARREL
- Fig. 0150D CAULK DOUBLE
- Fig. 0150DB THREAD DOUBLE
- Fig. 0180D CAULK DOUBLE LONG BARREL

The water closet outlet gasket regularly furnished is made of molded neoprene and designed to fit water closet outlet dimensions and configurations shown in ANSI Standard A112.19.2M-1995, Figure 13B. If gasket is not found to be compatible to fixture due to nonconformance of said fixture to ANSI A112.19.2M, then fixture manufacturer shall be consulted for a suitable gasket recommendation. Jay R. Smith assumes no liability for connections to fixtures which do not conform to these standards.

NOTE: Base Support must be firmly anchored to floor (with four 1/2" (13) bolts provided by contractor).
 NOTE: Long barrel available in 4" (100) size only. For 6" (150) size, specify prefix CV

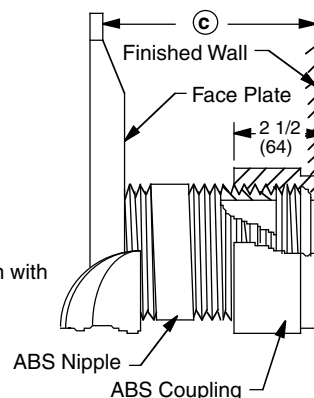
AxB size	min	D max	caulk	G thread	J	L	M	caulk	P thread	S
4x4 (100) x (100)	1 1/2 (38)	5 1/2 (140)	8 (205)	6 1/4 (160)	9 (230)	3 (76)	7 (180)	10 (255)	8 (205)	5 1/4 (135)
5x4 (125) x (100)	1/2 (13)	4 1/2 (115)	9 (230)	7 1/4 (185)	8 (205)	3 1/2 (89)	7 1/2 (190)	11 (280)	9 (230)	5 3/4 (145)
5x5 (125) x (125)	1/2 (13)	4 1/2 (115)	9 (230)	7 1/4 (185)	8 (205)	3 1/2 (89)	7 1/2 (190)	11 (280)	9 (230)	5 3/4 (145)

© DIMENSION - ADJUS-TO-WALL TYPE OUTLET CONNECTION

The Smith Adjus-to-Wall outlet connection provides adjustment at the face of the wall at the time the fixture is set; thus, compensating for wall construction variations. The © dimension is measured from the front of the face plate to the finished wall. To properly determine the length of nipple required, deduct 1" (25) from the © dimension. The Adjus-to-Wall coupling will provide 1/2" (13) horizontal adjustment in either direction with the coupling extended 5/16" (8) past face of the finished wall.

© dimension = 4" (100) (regularly furnished) consisting of nipple and Adjus-to-Wall coupling permitting adjustment from 3" (76) min. to 4" (100) max.

*ABS (Regularly Furnished) other lengths PVC.



NIPPLE LENGTHS AVAILABLE

LENGTH	MIN.	©	MAX.
2 1/2(64)	2 1/4(57)		3 1/4(83)
*3 1/4(83)	3(76)		4(100)
*8 1/4(210)	8(205)		9(229)
10(255)	9 3/4(250)		10 3/4(273)
12(305)	11 3/4(300)		12 3/4(324)
15(380)	14 3/4(375)		15 3/4(400)
18(455)	17 3/4(450)		18 3/4(476)

NOTE: When nipple lengths between 3 1/4" (83) and 8 1/4" (210) are specified, the 8 1/4" (210) nipple will be supplied. Nipple must be cut to specified length by others.

DRAWING NUMBER
S0150

SIZE
A

SCALE:
NONE

DATE:
10-27-69

APPROVED BY:
RP

CHECKED BY:
RVB

DRAWN BY:
RVB

FIGURE NUMBER
0150-0180

DIMENSIONS ARE SUBJECT TO MANUFACTURERS TOLERANCE AND CHANGE WITHOUT NOTICE

WE CAN ASSUME NO RESPONSIBILITY FOR USE OF SUPERSEDED OR VOID DATA

REV.	DATE	DESCRIPTION	BY	CKD. BY	WEIGHT POUNDS	VOLUME CUBIC FEET	FIGURE NUMBER
F	6-23-99	Revised Rear Support Lug note Submittal Update	CMD	BS			0150-0180
E	7-1-98		ASL	BS			
D	4-18-94		EMB	BS			

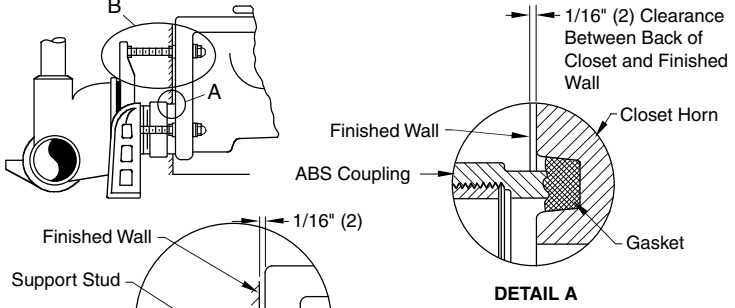
MODIFICATIONS & VARIATIONS FOR SIPHON JET WATER CLOSETS

RECOMMENDED SETTING OF CLOSET OUTLET CONNECTION AND FIXTURE STUDS

Manufacturers have slight differences in the depth of the closet horn and flange thickness of their closets. Usually the fixture support closet connection should extend 5/16" (8) beyond face of finished wall (Dimension "R") and the fixture studs 2 1/4" (57) (Dimension "X"). For exact dimensions please use the formulas below.

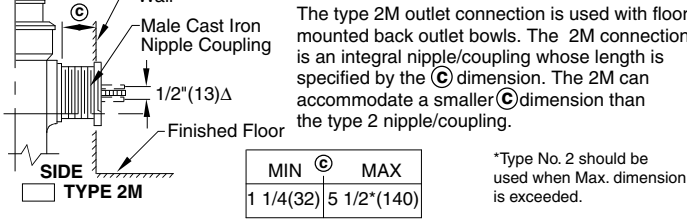
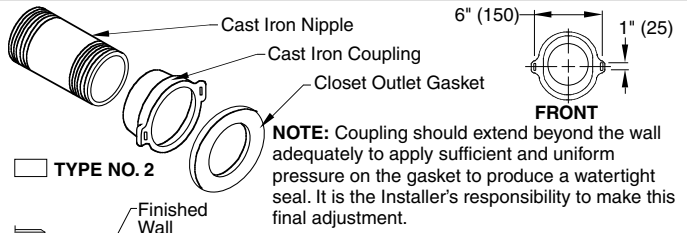
DETAIL A Formula for "R" is: $S + 1/16" (2) - D = R$.
 S = Depth of closet horn
 1/16" (2) = Distance closet is to set away from finished wall.
 D = 1/2" (13) for felt gasket and 3/8" (10) for neoprene gasket.
 R = Distance coupling should extend beyond finished wall.
 NOTE: When the fixture is installed, closet gasket must be compressed sufficiently to assure a gas and water-tight seal.

DETAIL B Formula for "X" is: $Y + 1/16" (2) + 9/16" (14) = X$.
 Y = Thickness of closet wall flange.
 1/16" (2) = Distance closet is to set away from finished wall.
 X = Distance supporting stud should extend beyond finished wall.
 NOTE: Bearing nuts and washers must be set to take full loading from the fixture allowing 1/16" (2) clearance between fixture and wall.

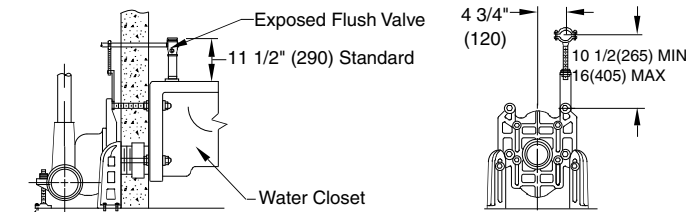
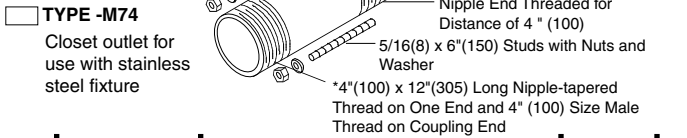
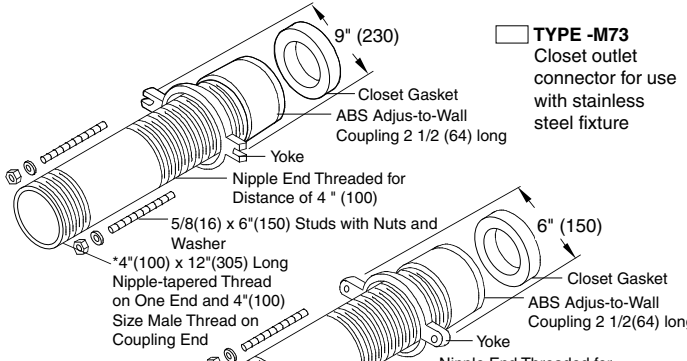


NOTE: Dimensions shown in parentheses are in millimeters.

OPTIONAL CLOSET OUTLET CONNECTIONS



NOTE: The 4" (100) adjustable coupling is provided with vertical slotted ears which permit a 1/2" (13) adjustment up or down for variation in finished floor height.



Provides support and alignment for the supply pipe to an exposed flush valve; must be specified for either 1" (25) copper tube or 1" (25) iron pipe.

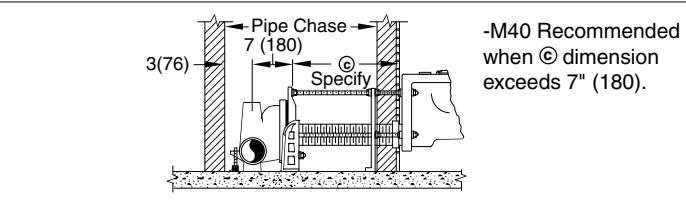
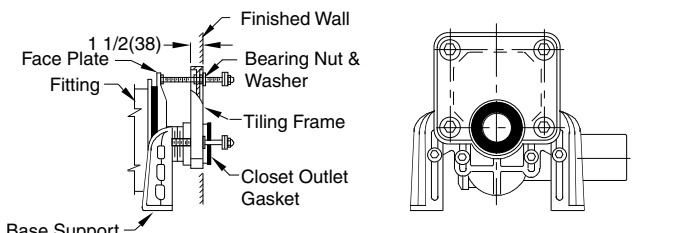


Illustration shows single installation. For double (back to back) installations specify whether -M40 variation is required on one side or both sides of pipe chase. When ordering, the pipe chase width and C dimension should also be specified.

-M40 WATER CLOSET SUPPORT FOR WIDE PIPE CHASE

DRAWING NUMBER: S0100BS
 SIZE: A
 SCALE: NONE
 DATE: 1-16-85
 APPROVED BY: JD
 CHECKED BY: CR
 DRAWN BY: VGD
 DIMENSIONS ARE SUBJECT TO MANUFACTURERS TOLERANCE AND CHANGE WITHOUT NOTICE

REV.	DATE	DESCRIPTION	BY	CKD. BY
D	2-27-12	Rev. Note Type 2 outlet	TBW	AM
C	12-10-03	Added Note	RN	CL
B	2-26-96	Added Millimeters	EMB	BS

WEIGHT POUNDS	VOLUME CUBIC FEET	FIGURE NUMBER 100/400 Series Back Sheet
---------------	-------------------	--