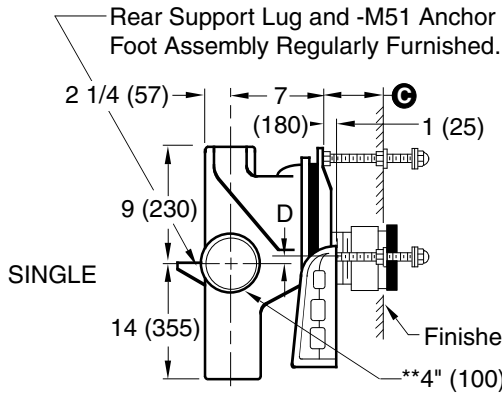
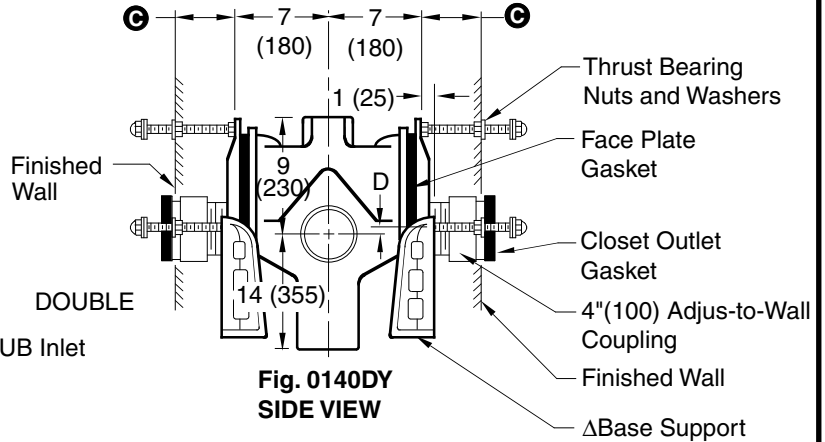


# ADJUSTABLE FIXTURE SUPPORTS FOR SIPHON JET WATER CLOSETS DEEP ROUGH-IN TYPE

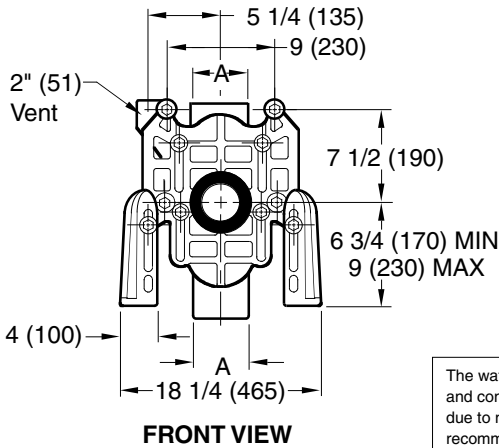
## NO-HUB VERTICAL FITTINGS WITH SIDE INLET



**Fig.0140LY  
 SIDE VIEW**



**Fig. 0140DY  
 SIDE VIEW**



**FRONT VIEW**

- Fig. 0140LY . . . NO-HUB Left Hand
- Fig. 0140RY . . . NO-HUB Right Hand
- Fig. 0140DY . . . NO-HUB Double

A SIZE	MIN	D MAX
4 (100)	1 1/2 (38)	4 1/2 (115)

ΔNOTE: Base support must be securely anchored to floor with four 1/2"(13) bolts provided by contractor.  
 NOTE: 1 1/2(38) or 2"(51)tapped inlet available. Add suffix -N  
 \*\*NOTE: Centerline of stack to end of NO-HUB side inlet is 5"(125).

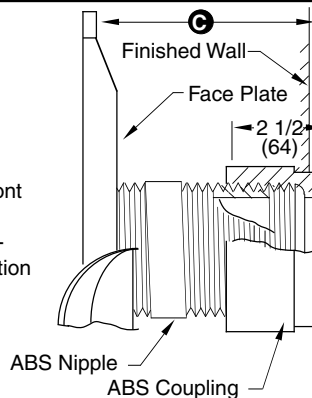
The water closet gasket regularly furnished is made of molded neoprene and designed to fit water closet outlet dimensions and configurations shown in ANSI Standard A112.19.2M-1982, Figure 13B. If gasket is not found to be compatible to fixture due to nonconformance of said fixture to ANSI A112.19.2M, then fixture manufacturer shall be consulted for a suitable gasket recommendation. Jay R. Smith assumes no liability for connections to fixtures which do not conform to these standards.

### Ⓢ DIMENSION - ADJUS-TO-WALL TYPE OUTLET CONNECTION

The Smith Adjus-to-Wall outlet connection provides adjustment at the face of the wall at the time the fixture is set; thus, compensating for wall construction variations. The Ⓢ dimension is measured from the front of the face plate to the finished wall. To properly determine the length of nipple required, deduct 1" (25) from the Ⓢ dimension. The Adjus-to-Wall coupling will provide 1/2" (13) horizontal adjustment in either direction with the coupling extended 5/16" (8) past face of the finished wall.

Ⓢ dimension = 4" (100) (regularly furnished) consisting of nipple and Adjus-to-Wall coupling permitting adjustment from 3" (76) min. to 4" (100) max.

NOTE: Dimensions shown in parentheses are in millimeters.



### NIPPLE LENGTHS AVAILABLE

LENGTH	MIN	Ⓢ	MAX
2 1/2 (64)	2 1/4 (57)	3 1/4 (83)	
*3 1/4 (83)	3 (76)	4 (100)	
*8 1/4 (210)	8 (205)	9 (230)	
10 (255)	9 3/4 (250)	10 3/4 (275)	
12 (305)	11 3/4 (300)	12 3/4 (325)	
15 (380)	14 3/4 (376)	15 3/4 (400)	
18 (455)	17 3/4 (450)	18 3/4 (475)	

NOTE: When nipple lengths between 3 1/4 (83) and 8 1/4 (210) are specified, the 8 1/4 (210) nipple will be supplied. Nipple must be cut to specified length by others.

\*ABS (Regularly Furnished) other lengths PVC.

DRAWING NUMBER  
S0140Y

SIZE  
A

SCALE:  
NONE

DATE:  
6-6-75

APPROVED BY:  
RS

CHECKED BY:  
RS

DRAWN BY:  
RAS

FIGURE NUMBER  
0140Y

WE CAN ASSUME NO RESPONSIBILITY FOR USE OF SUPERSEDED OR VOID DATA  
 DIMENSIONS ARE SUBJECT TO MANUFACTURERS TOLERANCE AND CHANGE WITHOUT NOTICE

REV.	DATE	DESCRIPTION	BY	CKD. BY	WEIGHT POUNDS	VOLUME CUBIC FEET	FIGURE NUMBER
C	1-28-98	Added Millimeters					0140Y
B	4-18-94	Submittal Update					
A	4-2-90	Revised					

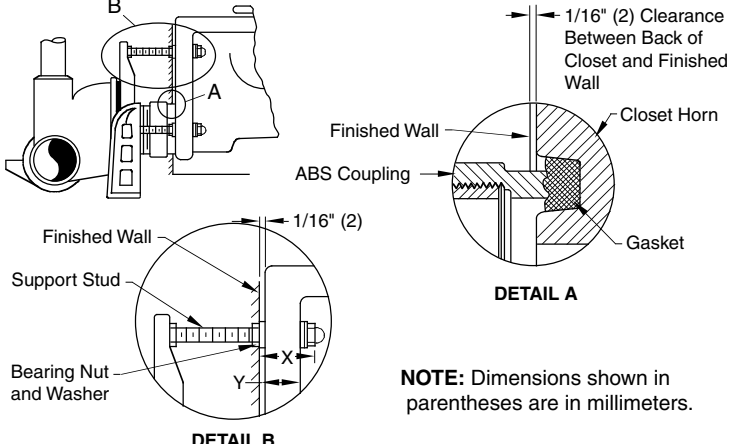
# MODIFICATIONS & VARIATIONS FOR SIPHON JET WATER CLOSETS

## RECOMMENDED SETTING OF CLOSET OUTLET CONNECTION AND FIXTURE STUDS

Manufacturers have slight differences in the depth of the closet horn and flange thickness of their closets. Usually the fixture support closet connection should extend 5/16" (8) beyond face of finished wall (Dimension "R") and the fixture studs 2 1/4" (57) (Dimension "X"). For exact dimensions please use the formulas below.

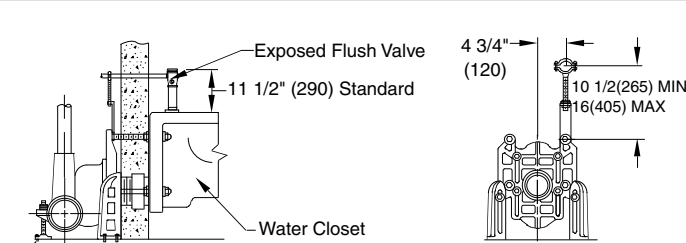
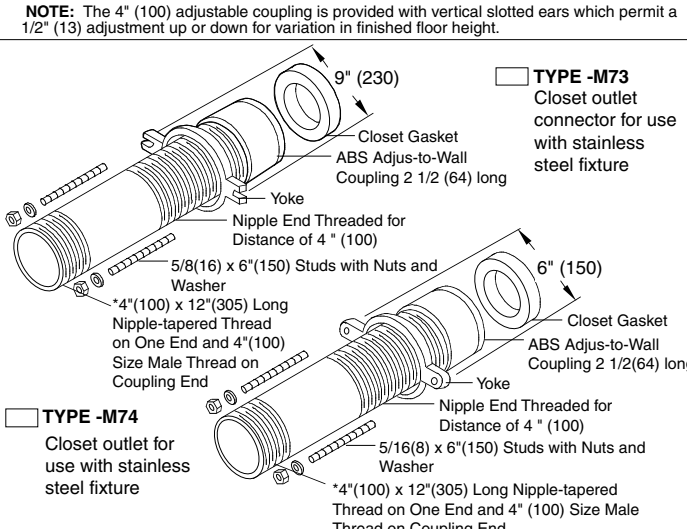
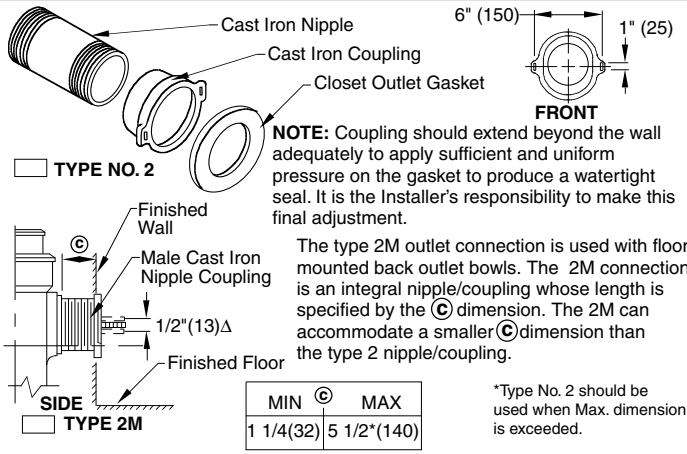
**DETAIL A** Formula for "R" is:  $S + 1/16" (2) - D = R$ .  
 S = Depth of closet horn  
 1/16" (2) = Distance closet is to set away from finished wall.  
 D = 1/2" (13) for felt gasket and 3/8" (10) for neoprene gasket.  
 R = Distance coupling should extend beyond finished wall.  
 NOTE: When the fixture is installed, closet gasket must be compressed sufficiently to assure a gas and water-tight seal.

**DETAIL B** Formula for "X" is:  $Y + 1/16" (2) + 9/16" (14) = X$ .  
 Y = Thickness of closet wall flange.  
 1/16" (2) = Distance closet is to set away from finished wall.  
 X = Distance supporting stud should extend beyond finished wall.  
 NOTE: Bearing nuts and washers must be set to take full loading from the fixture allowing 1/16" (2) clearance between fixture and wall.



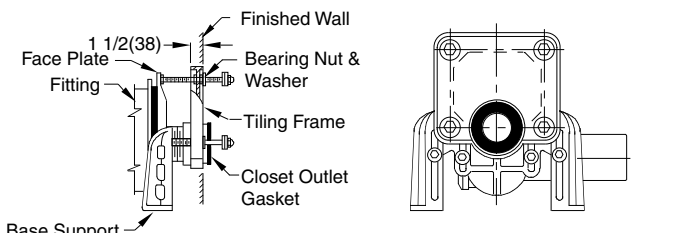
DRAWING NUMBER: S0100BS  
 SIZE: A  
 SCALE: NONE  
 DATE: 1-16-85  
 APPROVED BY: JD  
 CHECKED BY: CR  
 DRAWN BY: VGD  
 DIMENSIONS ARE SUBJECT TO MANUFACTURERS TOLERANCE AND CHANGE WITHOUT NOTICE

## OPTIONAL CLOSET OUTLET CONNECTIONS

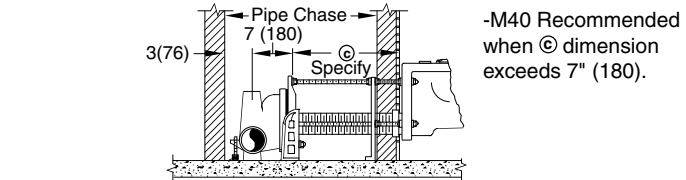


Provides support and alignment for the supply pipe to an exposed flush valve; must be specified for either 1" (25) copper tube or 1" (25) iron pipe.

**SUFFIX -M12 EXPOSED FLUSH VALVE SUPPLY SUPPORT**



**SUFFIX -M13 TILING FRAME - POLYSTYRENE**



-M40 Recommended when Ⓢ dimension exceeds 7" (180).

Illustration shows single installation. For double (back to back) installations specify whether -M40 variation is required on one side or both sides of pipe chase. When ordering, the pipe chase width and Ⓢ dimension should also be specified.

**-M40 WATER CLOSET SUPPORT FOR WIDE PIPE CHASE**

FIGURE NUMBER	D	2-27-12	Rev. Note Type 2 outlet Added Note Added Millimeters	TBW	AM	WEIGHT POUNDS	VOLUME CUBIC FEET	FIGURE NUMBER
	C	12-10-03		RN				
	B	2-26-96		EMB	BS			
REV.	DATE	DESCRIPTION	BY	CKD. BY				