

ROOF DRAIN AND OVERFLOW DRAIN WITH DECK PLATE



Fig. # 1800

Roof Drain and Overflow Drain with Deck Plate

Product Features:

- Eliminates need for underdeck clamp.
- Roof drain installation can be performed from the top of the roof deck.
- Requires only one rectangular roof penetration.
- Recesses the drains slightly to prevent water build-up at the base of the drains.
- Drains can be preassembled to deck plate and then put in place.
- Drains and deck plate are securely fastened in place.

FUNCTION: Used on flat roofs of any construction (other than poured-in-place) where an emergency overflow drain can be used in combination with a standard roof drain. Large sump drain bodies with low profile domes provide sufficient free area for quick drainage of rainwater while protecting the drain sump and connected piping from the intrusion of debris. Internal standpipe type overflow drain receives water only when the build-up is greater than the setting of the standpipe. Water dam standpipe can be cut to achieve various water depths on the roof. Attached wide dual drain deck plate with securing holes enables both drains to be secured to the roof deck from the top surface of the roof reducing installation time, reducing the number of roof penetrations and eliminating the need for an underdeck clamp. The wide dual deck plate also recesses the drains slightly to prevent water build-up at the base of the drains.

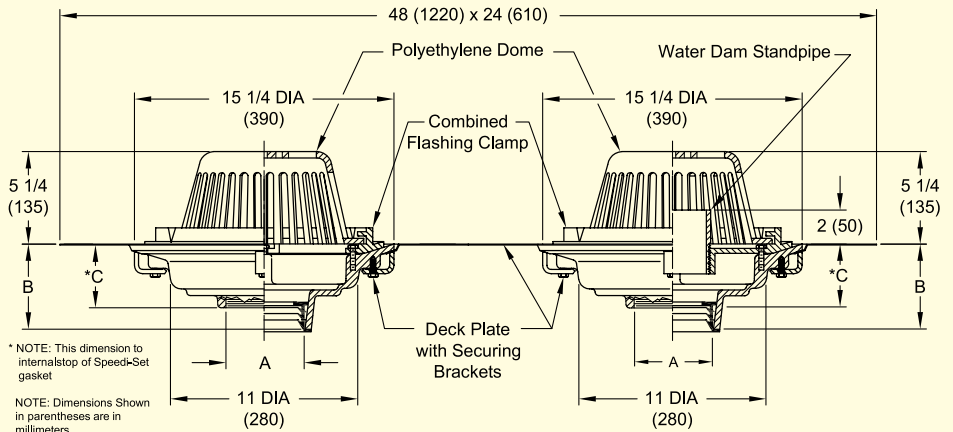


Fig. 1800C . . . CAULK OUTLET
 Fig. 1800Y . . . NO HUB OUTLET

A SIZE	B		*C	FREE AREA SQ IN (SQ CM)
	CAULK, NO-HUB, & SPEEDI-SET	THREADED		
02(50), 03(75), 04(100)	5 (125)	3 3/4 (95)	3 3/4 (95)	102.5 (661)
05(125), 06(150)	5 (125)	3 3/4 (95)	3 3/4 (95)	102.5 (661)

REGULARLY FURNISHED:

Duco Cast Iron Bodies with Combined Flashing Clamp and Gravel Stop for Roof Drain and Combined Flashing Clamp and Gravel Stop with Internal Water Dam Standpipe for Overflow Drain. Deck Plate with Securing Holes Provided to Receive Both Drains. Both Drains Provided with Polyethylene Domes.

VARIATIONS:

- Expansion Joint (Specify Fig. 1710)
- Extension (Specify Height) -E
- "L" Shaped Underdeck Clamp -CL
- L Speedi-Set Service Weight
02 (50), 03 (75), and 04 (100) Sizes Only
- LXH Speedi-Set Extra Heavy
02 (50), 03 (75), and 04 (100) Sizes Only
- Secondary Flashing Clamp -C2 (For Extensions)
- Vandal Proof Dome -J
- T Threaded Outlet

OPTIONAL MATERIALS:

- Aluminum Dome -AD
- Cast Iron Dome -CID
- Galvanized Cast Iron Dome -CIDG
- Galvanized Cast Iron Body & Collar -G
- Rough Bronze Dome -RBD
- Stainless Steel Mesh Secured to Dome -SSMD
- Acid Resistant Coated -ARC